



# LYNDON®

## 1/2" OR 3/4" THERMOSTATIC VALVE TRIM



- Ceramic disc valve cartridge
- Cast brass valve body with built-in check stops
- Adjustable hot limit safety stop
- Wax thermostatic unit permits shuttle valve to move between the hot and cold seats to maintain the preselected constant water temperature
- Concealed mounting hardware

### CODES AND STANDARDS

Meets or Exceeds ASME A112.18.1/  
CSA B125.1/ASSE 1016

### AVAILABLE FINISHES

Polished Chrome  
Brushed Nickel  
Matte Black

### FINISH CODE

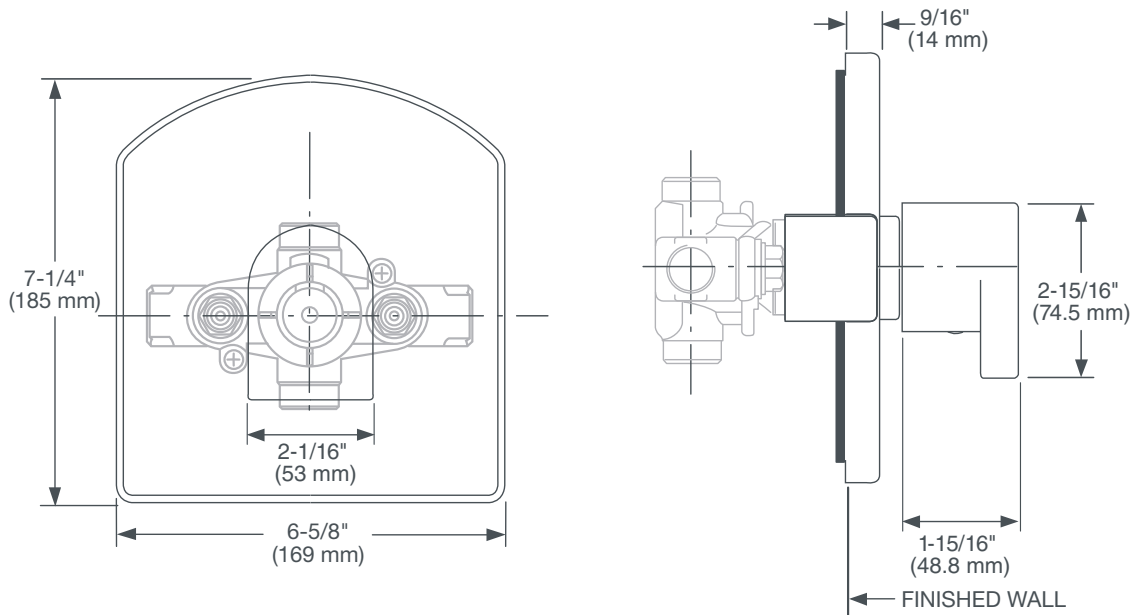
100  
144  
243

### DESCRIPTION

1/2" or 3/4" Thermostatic Trim  
1/2" Thermostatic Rough Valve  
(required component)  
3/4" Thermostatic Rough Valve  
(required component)

### PRODUCT NUMBER

D35109510.XXX  
D35000510.191  
D35000530.191



**IMPORTANT:** These measurements are subject to change or cancellation.  
No responsibility is assumed for use of superseded or voided pages.

PART OF **LIXIL**