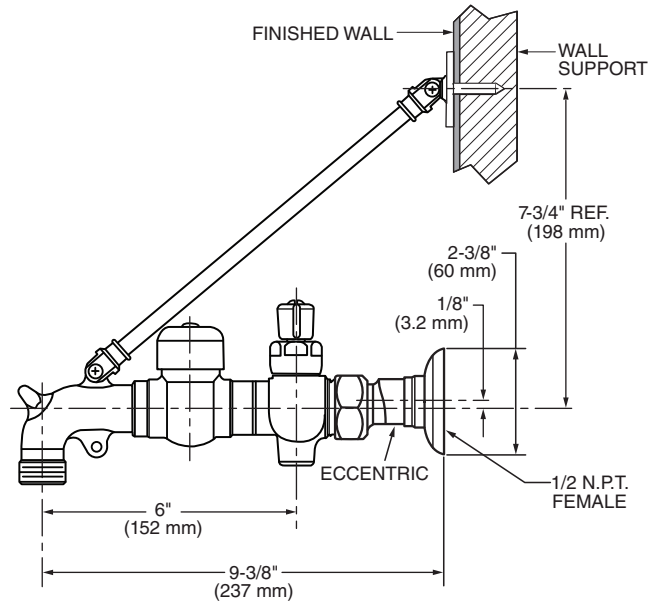
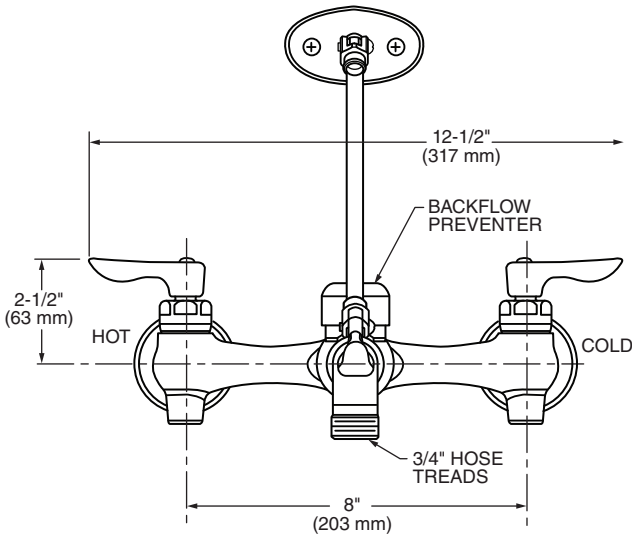


MODEL NUMBER:

- 8344.012 Exposed Yoke Wall-Mount Utility Faucet**
 Top brace. 6" cast brass spout with vacuum breaker.
 Ceramic disc valves. Integral supply stops. Vandal-resistant
 metal lever handles. Bucket hook. 3/4" threaded hose end.
 1/2" NPT female inlets.



GENERAL DESCRIPTION:

Cast brass body. Metal lever handles with hot and cold indicators and vandal-resistant screws. 1/4 turn ceramic disc valve cartridges. Vacuum breaker prevents back flow. Integral supply stops. Spout, top braced to wall, with bucket hook and threaded hose end. 1/2" female inlets adjustable from 7-3/4" to 8-1/4".

PRODUCT FEATURES:

- Cast Brass Construction:** Durable - excellent in high use applications.
- Ceramic Disc Valve Cartridges:** Assure a lifetime of drip-free performance.
- Integral Supply Stops:** Permits easy and convenient access.
- Vacuum Breaker:** Prevents back flow.
- Top Brace:** Provides additional support.

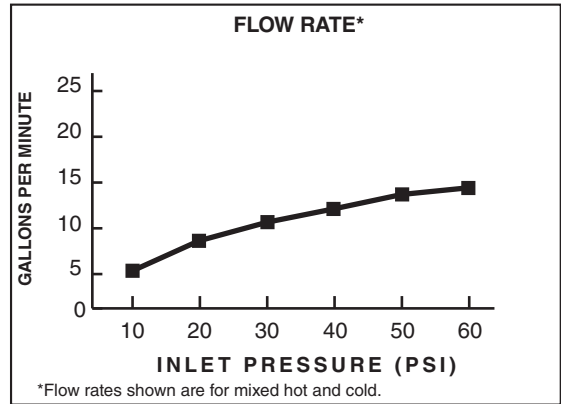
SUGGESTED SPECIFICATION

Exposed yoke wall-mount utility faucet shall feature a cast brass body with integral supply stops. Cast brass spout with bucket hook, top brace, and vandal-resistant metal lever handles. Shall feature vacuum breaker to prevent back flow. Shall also feature 1/4 turn washerless ceramic disc valve cartridges. Fitting shall be American Standard Model # 8344.012.____.


CODES AND STANDARDS

These products meet or exceed the following codes and standards:

- ASME A112.18.1**
- CSA B125.1**
- ANSI A117.1**



Product Number	Description	Finish Options
		Polished Chrome
		002
8344.012	Exposed yoke wall-mount utility faucet. Ceramic disc valves. Integral supply stops. Vandal-resistant lever handles.	

 Meets the American Disabilities Act Guidelines and **ANSI A117.1** Requirements for accessible and usable building facilities - check local codes