



2-way Type T (thermostatic) coaxial floor-mount tub filler with hand shower

**MMSQ39J**



## Specifications

### Composition

- RHFS - Floor-mount tub filler rough
- TMMSQ39JC - 2-way Type T (thermostatic) coaxial floor-mount tub filler with hand shower

### Available colors

- C : Chrome
- CBK : Chrome/Black
- BN : Brushed Nickel (PVD)
- BNBK : Brushed Nickel (PVD)/Black
- PN : Polished Nickel (PVD)
- PNBK : Polished Nickel (PVD)/Black

### Available flow

- 23 L/min, 6.0 gpm (US) 60psi

### Certifications

- CSA B125.1
- ASME A112.18.1
- ASSE 1016
- ADA

## Warranty

This **Riobel Inc.** product you have purchased carries a Limited Lifetime Warranty on the chrome, PVD finish, blacks and all working parts and is guaranteed from the initial purchase date against all manufacturing defects. All other finishes, including plastic components, are guaranteed for one year. All electric and/or electronic parts are covered by a 5-year limited warranty.

## Customer Service

Ontario, West Canada : 888-287-5354 Quebec, Maritimes, United States : 866-473-8442



Floor-mount tub filler rough  
**RHFS**



cUPC®

## Specifications

### Descriptions

- Rough only
- ½" inlet male NPT
- Test cap
- Drilling hole diameter = 2 1/2 (63mm)

### Available colors

- :

### Certifications

- CSA B125.1
- ASME A112.18.1
- CMR248 Approval

---

## Warranty

This **Riobel Inc.** product you have purchased carries a Limited Lifetime Warranty on the chrome, PVD finish, blacks and all working parts and is guaranteed from the initial purchase date against all manufacturing defects. All other finishes, including plastic components, are guaranteed for one year. All electric and/or electronic parts are covered by a 5-year limited warranty.

## Customer Service

Ontario, West Canada : 888-287-5354 Quebec, Maritimes, United States : 866-473-8442

2020.06.12



2-way Type T (thermostatic) coaxial floor-mount tub filler with hand shower

**TMMSQ39J**



## Specifications

### Descriptions

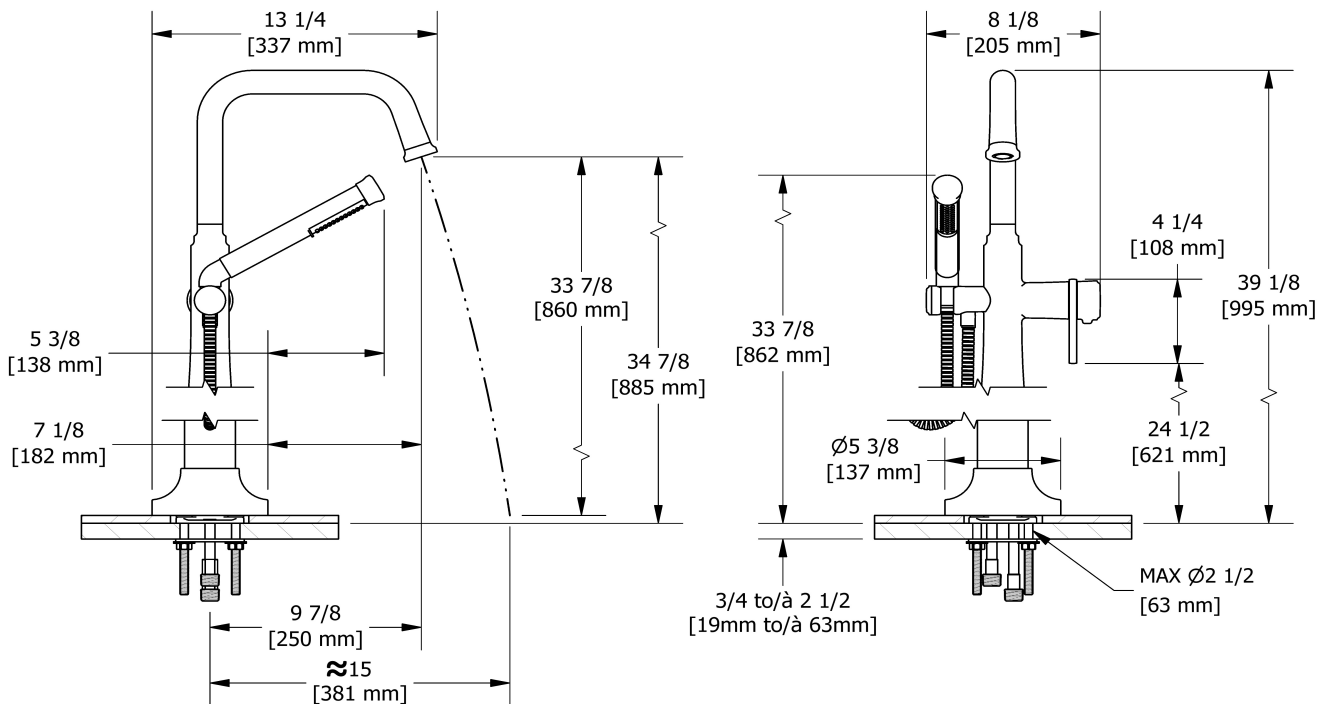
- 2 check valves
- Trim only
- 1-jet hand shower/scale-free
- Thermostatic coaxial cartridge with check valves

### Available colors

- C : Chrome
- CBK : Chrome/Black
- BN : Brushed Nickel (PVD)
- BNBK : Brushed Nickel (PVD)/Black
- PN : Polished Nickel (PVD)
- PNBK : Polished Nickel (PVD)/Black

### Certifications

- CSA B125.1
- ASME A112.18.1
- ASSE 1016
- ADA



Sizes, models and finishes may differ from those presented.

### Warranty

This **Riobel Inc.** product you have purchased carries a Limited Lifetime Warranty on the chrome, PVD finish, blacks and all working parts and is guaranteed from the initial purchase date against all manufacturing defects. All other finishes, including plastic components, are guaranteed for one year. All electric and/or electronic parts are covered by a 5-year limited warranty.

### Customer Service

Ontario, West Canada : 888-287-5354 Quebec, Maritimes, United States : 866-473-8442