



SD480-



Finish
Suffix

1-1/2" BRASS SIDE DISCHARGE SQUARE SHOWER DRAIN FOR USE WITH TILE SHOWER BASES

Project Name: _____

Project Number: _____

Fixture #

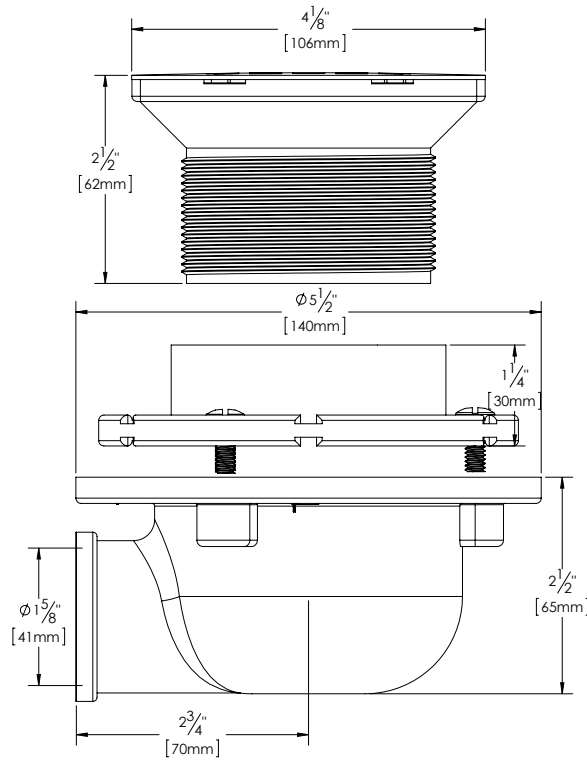
Description:

**SHOWER DRAIN SHALL BE BRASS 1-1/2" COPPER DWV WITH SIDE DISCHARGE
OUTLET, ABS EXTENDING REVERSIBLE PAN LINER CLAMP, BRASS CLAMP RING
SCREWS, 4" X 4" SQUARE GRATE, FOR USE WITH TILE SHOWER BASE.**

Certification



*The "cSAUS Meets UPC" mark means the product conforms to the requirements of the NPC, UPC, IPC and IRC.



SELECT FINISH SUFFIX BELOW AND TRANSPOSE ABOVE:



SS
(Stainless
Steel)



BN
(Brushed
Nickel)



MBL
(Matte
Black)



Oakville Stamping and Bending Ltd.

2200 Speers Road. Oakville, ON. Canada. L6L 2X8.

T. 905.827.0320 or toll free 1.877.314.6040 F. 905.827.6375 or toll free 1.877.827.6040.

All rights reserved. OS&B™ reserves the right to change product specifications and material or discontinue models without notice.

www.osb.ca (Canada) www.osbplumbing.com (USA)