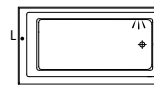
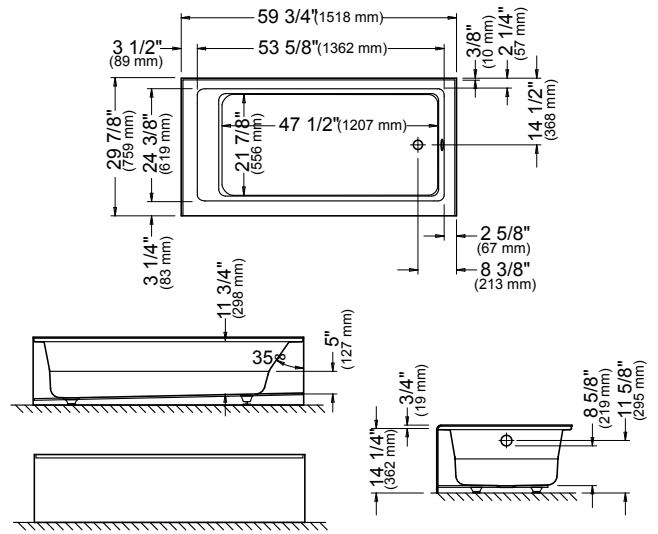


ASTICA 3060 ADA

WITH INTEGRATED TILING FLANGE AND SKIRT



59 3/4" x 29 7/8" x 14 1/4" [37 gallons]



Bathtub only left drain
Bathtub only right drain

E10.21310.5500
E10.21310.5000

L : Light control

⚡ : Mood light (option)

GENERAL SPECIFICATIONS

- Acrylic thermoformed and reinforced with fiberglass
- Gloss finish resistant to stains and discoloration
- Immersion 8 5/8" - Adjustable legs
- Weight: 60 pounds - Textured bottom

GENERAL OPTIONS

Acrylic colors: white
biscuit* or bone* (allow 3 weeks for delivery)
Available in left or right version (integrated tiling flange)
Integrated skirt

White mood light: white, biscuit, bone or chrome finish

Handle: white, biscuit, bone or chrome finish 95.7077.106.XX
(max. 2) (submit drawing with order)

Drain D105 (20"): chrome finish 62.4020.102.60

Black neck pillow (12" x 4") 18.6000.100.20

DIMENSIONS ARE NOMINAL AND MAY VARY BY ± 1/4" (6MM).
WEIGHT MAY VARY BY ± 5 LBS (2,3KG).
DRAWING IS NOT SCALE. THESE DIMENSIONS MAY BE CHANGED AT THE MANUFACTURER'S DISCRETION.
CONSULT THE INSTALLATION GUIDE FOR MORE INFORMATION.



Intertek

COMPLIANCE ATTESTATION
Standard bathtubs
CAN / CSA.B45.5
Hydromassage Standards
CAN / CSA.B45.10 / CSA.C22.2 / UL-1795



Certification ECORESPONSIBLE
First manufacturer of bathroom products in
North America to be certified ecoresponsible.



Produits Neptune

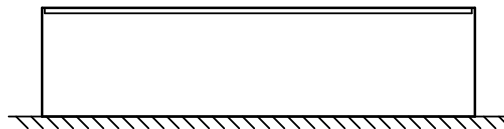
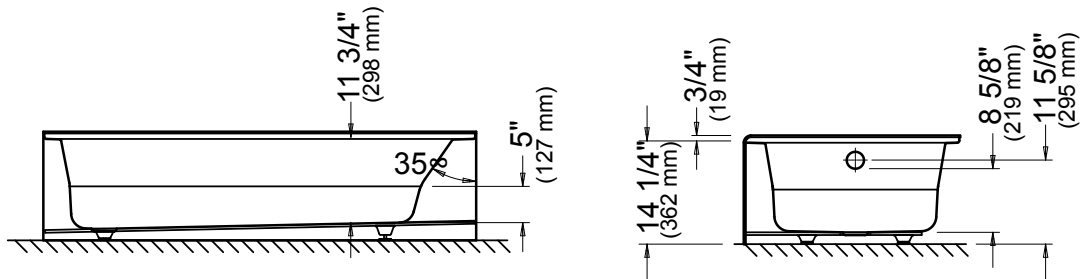
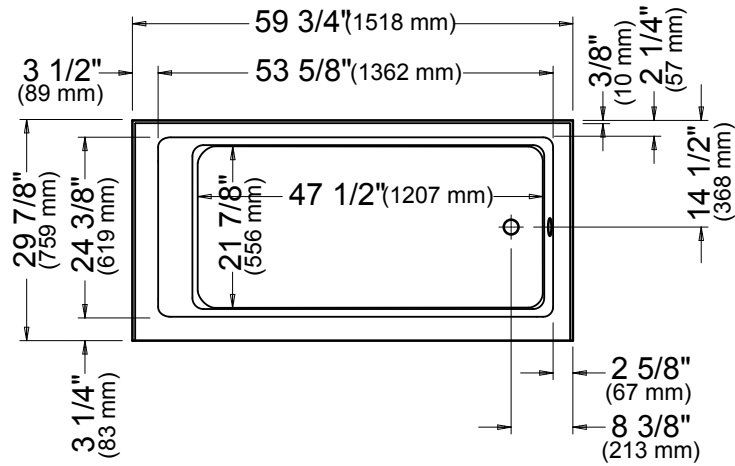
ENTREPRENEUR

6635, Picard street, Saint-Hyacinthe (Quebec) J2S 1H3
Phone: (450) 773-7058 - Fax: (450) 773-5063
produitsneptune.com



Produce Neptune

ASTICA 3060 ADA WITH INTEGRATED TILING FLANGE AND SKIRT



*All dimensions are approximate and subject to change without notice.
Please refer to the installation guide before beginning the installation.

**ADA Compliance 