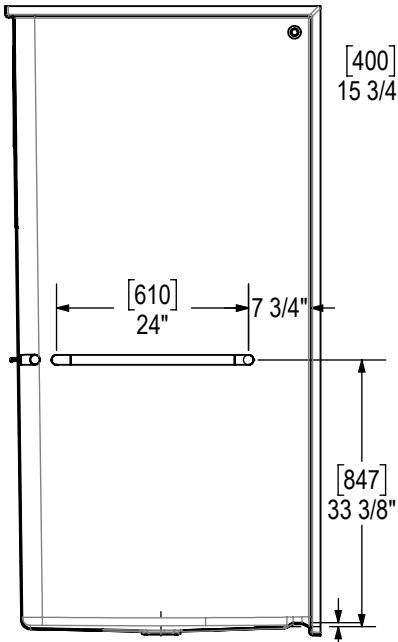
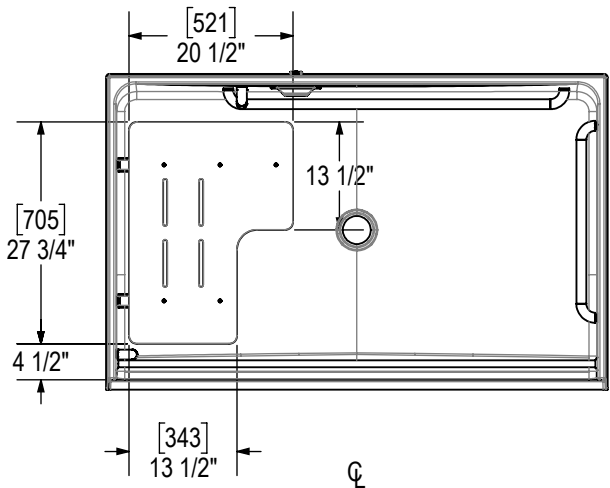


BASE MODEL COMPLETE BC CODE COMPLIANT WITH GRAB BARS, SEAT AND SOAP DISH

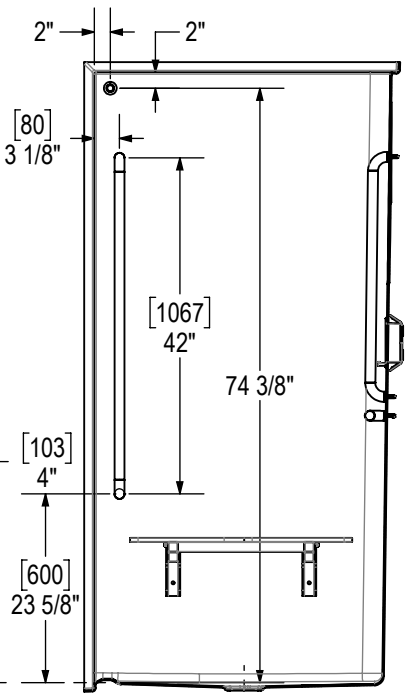
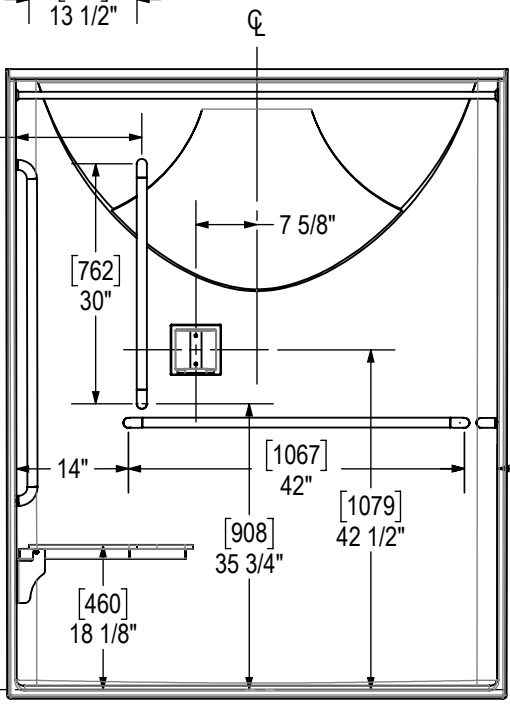
SALE CODE 107666

LEFT SIDE SHOWN

RIGHT SIDE SYMMETRICAL

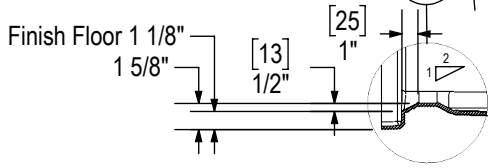
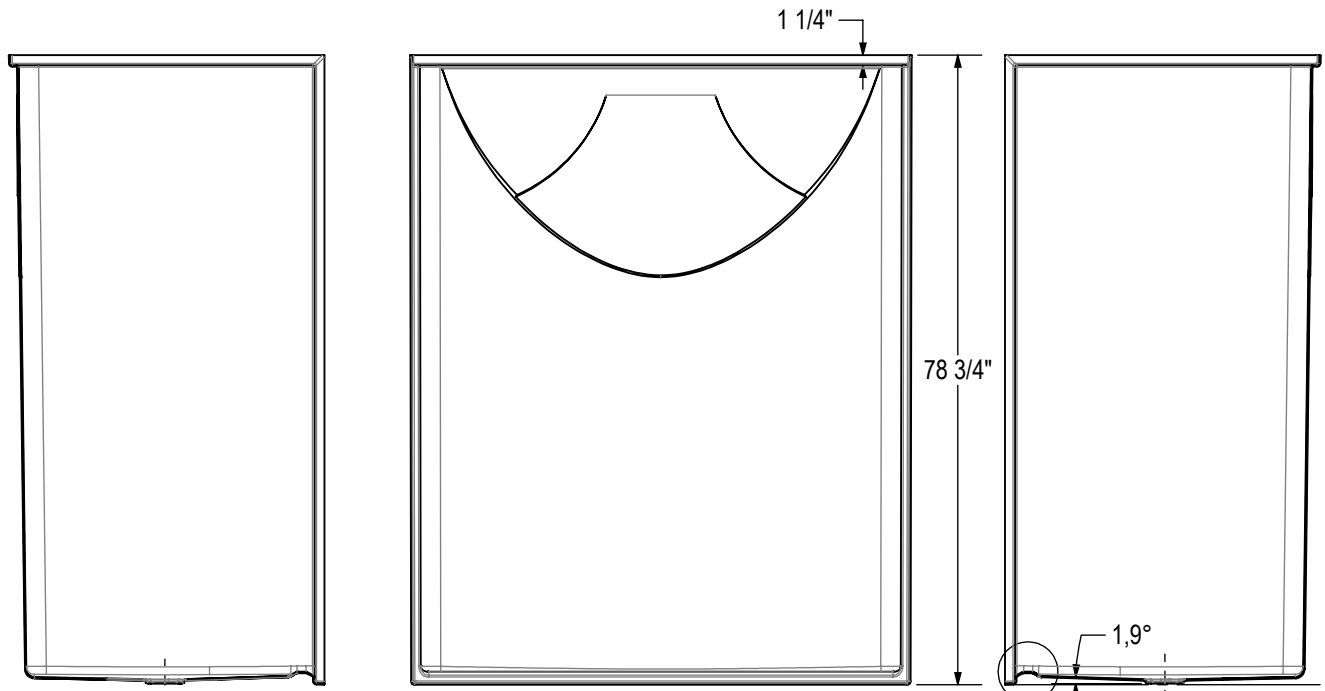
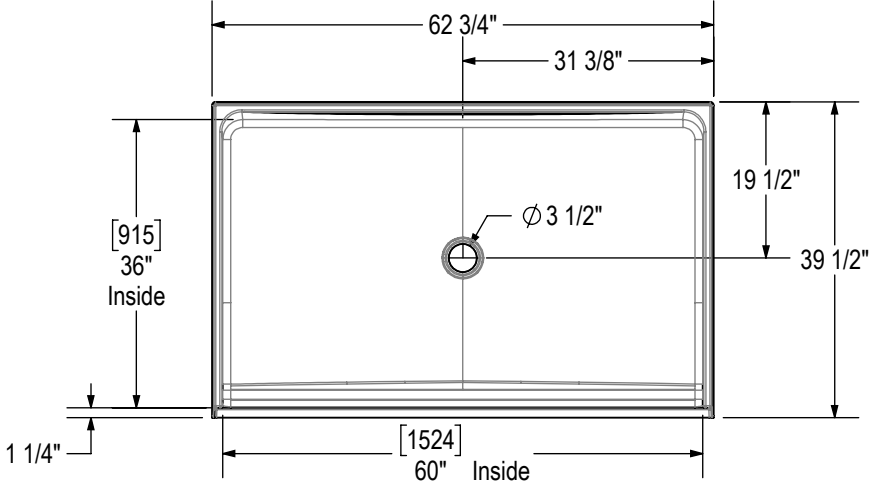


1/2" Finish Floor  
Lower the threshold surface



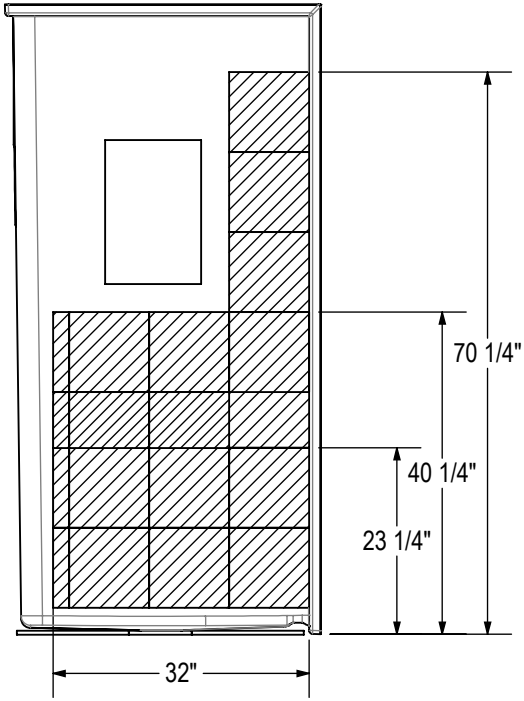
All dimensions are approximate. Structure measurements must be verified against the unit to ensure proper fit.

BASE MODEL  
LEFT SIDE SHOWN  
RIGHT SIDE SYMMETRICAL

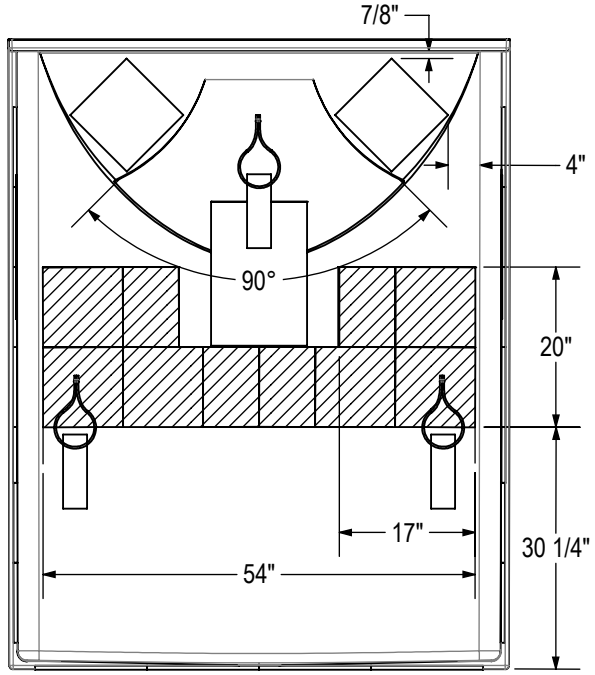


All dimensions are approximate. Structure measurements must be verified against the unit to ensure proper fit.

REINFORCEMENT BACKING  
RIGHT WALL SHOWN  
LEFT WALL SYMMETRICAL



SIDE WALL



BACK WALL

All dimensions are approximate. Structure measurements must be verified against the unit to ensure proper fit.