



ONCE UPON A TIME...WATER®

BF1602-XXX-001

STANDARD: TD3 Thermostatic Shower System

SPECIFICATIONS

Components included

- BF1377-XXX*: Rainhead with vertical ceiling arm
- 102852-XXX*: 3-jet handshower (3 direct functions and 2 shared functions and 1 closed function)
- 101323-XXX*: Wallbar
- 101620-XXX*: 60" flexible and soft PVC hose
- BF1148-XXX*: AQUATONIK™ type T/P 1/2" valve and decorative trim
- BF1538-XXX*: 1/2" Volume control valve 3-way diverter and decorative trim (3 direct positions, 2 shared positions and 1 closed position)
- 102847-XXX*: Wall outlet
- 101526-XXX* : Tub spout

*XXX means that the finish color must be specified.

Colors (Finishes)

- Chrome : BF1602-110-001
- Brushed Nickel PVD : BF1602-120-001

Certifications

The specified model meets or exceeds the following standards;

- ASME A112.18.1 / CSA B125.1
- ICC A117.1



See the following sheets for the technical features of each component.

Installation Notes

This product must be installed following the installation instructions provided.

WARRANTY

Kalia Inc. guarantees all aspects of its products to be free of defects in material and workmanship for normal residential use. **Refer to the warranty included with the Kalia products for details.**



ONCE UPON A TIME...WATER®

1355, 2nd Street
Sainte-Marie (Quebec)
Canada G6E 1G9

T 418-387-9090
1-877-GO-KALIA (1-877-465-2542)
F 418-387-9089

KaliaStyle.com





BF1377

STANDARD: Rainhead and Vertical Ceiling Arm

SPECIFICATIONS

Features

- Water 1/2" male inlet NPT
- Diameter of 229mm (9")
- Anti-scale system with soft sprays
- Adjustable orientation swivel
- PVD finish (Physical Vapour Deposit): A high technology process that protects the surface finish for increased durability

Colors (Finishes)

- Chrome : BF1377-110
- Brushed Nickel PVD : BF1377-120

Certifications

The specified model meets or exceeds the following standards;

- ASME A112.18.1 / CSA B125.1



Packaging

- **Dimensions:** 406mm x 324mm x 133mm (16" x 12 3/4" x 5 1/4")
- **Volume:** 0.62 cu ft (0.018 cu m)
- **Total weight:** 2.69 lb (1.22 kg)

Maximum flow rate

- 9.5 liters/min. (2.5 gallons/min.) at 80 psi



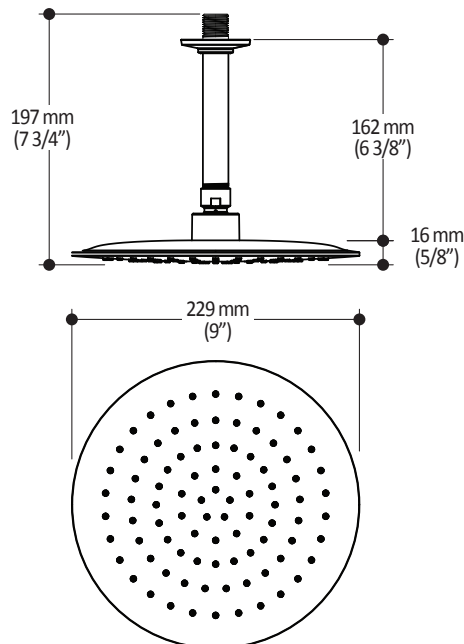
Installation Notes

This product must be installed following the installation instructions provided.

WARRANTY

Kalia Inc. guarantees all aspects of its products to be free of defects in material and workmanship for normal residential use. **Refer to the warranty included with the Kalia products for details.**

Product dimensions:



Important: Dimensions are approximated and are subject to changes. Please refer to the installation instructions.

Kalia inc.
1355, 2nd Street
Sainte-Marie (Quebec)
Canada G6E 1G9

t. 1-418-387-9090
1 877 GO KALIA (1-877-465-2542)
f. 1-418-387-9089
www.KaliaStyle.com



102852

STANDARD: 3-Jet Handshower

SPECIFICATIONS

Features

- Diameter of 100mm (4")
- Anti-scale system with soft sprays
- Water G1/2 male inlet
- 3 direct positions and 2 shared positions
- PVD finish (Physical Vapour Deposit): A high technology process that protects the surface finish for increased durability

Colors (Finishes)

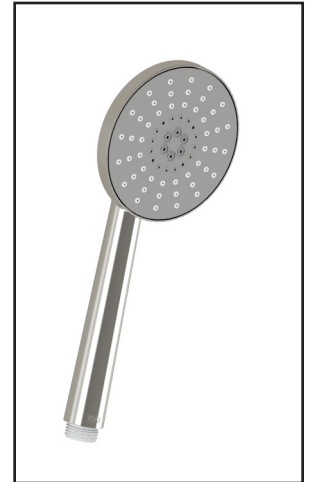
- Chrome : 102852-110
- Brushed Nickel PVD : 102852-120

Packaging

- **Dimensions:** 305mm x 117mm x 92mm (12" x 4 5/8" x 3 5/8")
- **Volume:** 0.12 cu ft (0.003 cu m)
- **Total weight:** 0.47 lb (0.214 kg)

Maximum flow rate

- 9.5 liters/min. (2.5 gallons/min.) at 80 psi



Certifications

The specified model meets or exceeds the following standards;

- ASME A112.18.1 / CSA B125.1



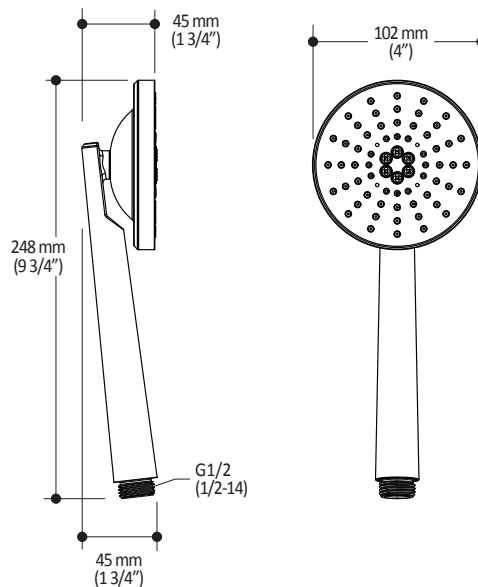
Installation Notes

This product must be installed following the installation instructions provided.

WARRANTY

Kalia Inc. guarantees all aspects of its products to be free of defects in material and workmanship for normal residential use. **Refer to the warranty included with the Kalia products for details.**

Product dimensions:



Important: Dimensions are approximated and are subject to changes. Please refer to the installation instructions.

Kalia inc.
1355, 2nd Street
Sainte-Marie (Quebec)
Canada G6E 1G9

t. 1-418-387-9090
1 877 GO KALIA (1-877-465-2542)
f. 1-418-387-9089
www.KaliaStyle.com

**Features**

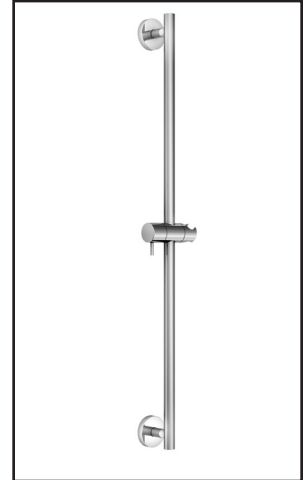
- Total height of 762mm (30")
- Locking system of 1/4 turn
- PVD finish (Physical Vapour Deposit): A high technology process that protects the surface finish for increased durability

Colors (Finishes)

- Chrome : 101323-110
- Brushed Nickel PVD : 101323-120

Packaging

- **Dimensions:** 832mm x 152mm x 89mm
(32 3/4" x 6" x 3 1/2")
- **Volume:** 0.40 cu ft (0.011 cu m)
- **Total weight:** 1.9 lb (0.86 kg)

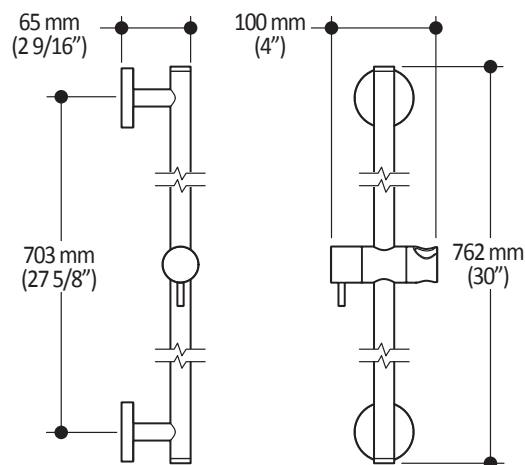
**Installation Notes**

This product must be installed following the installation instructions provided.

WARRANTY

Kalia Inc. guarantees all aspects of its products to be free of defects in material and workmanship for normal residential use. **Refer to the warranty included with the Kalia products for details.**

Product dimensions:



Important: Dimensions are approximated and are subject to changes. Please refer to the installation instructions.

Kalia inc.
1355, 2nd Street
Sainte-Marie (Quebec)
Canada G6E 1G9

t. 1-418-387-9090
1 877 GO KALIA (1-877-465-2542)
f. 1-418-387-9089
www.KaliaStyle.com



BF1148

AQUATONIK™ type T/P 1/2" valve and decorative trim

SPECIFICATIONS

Features

- Solid brass construction
- No visible screw
- Integrated service stops with check valve
- Male water inlet 1/2NPT threaded or welded
- Can be installed back-to-back
- Total adjustment of 19 mm (3/4")
- Optional lever included

Colors (Finishes)

- Chrome : BF1148-110
- Brushed Nickel PVD : BF1148-120

Certifications

The specified model meets or exceeds the following standards;

- ASME A112.18.1 / CSA B125.1
- ICCA117.1

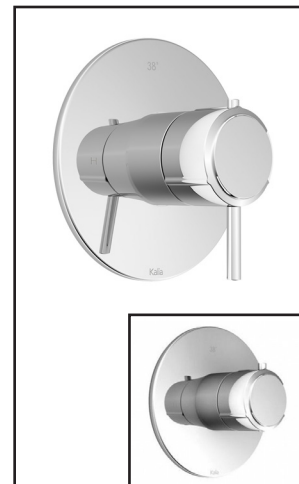


Packaging

- **Dimensions:** 370 mm x 190 mm x 205 mm (14 5/8 x 7 1/2 x 8 1/8)
- **Volume:** 0.014 cu m (0.51 cu ft)
- **Total weight:** 2.43 kg (5.35 lb)

Maximum flow rate

- 30 liters/min. (7.9 gallons/min.) at 60 psi



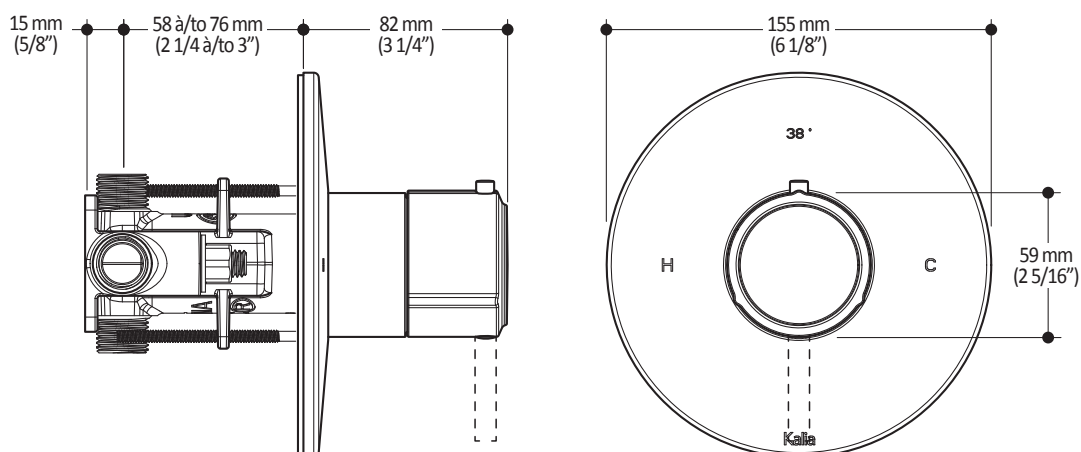
Installation Notes

This product must be installed following the installation instructions provided.

WARRANTY

Kalia Inc. guarantees all aspects of its products to be free of defects in material and workmanship for normal residential use. **Refer to the warranty included with the Kalia products for details.**

Product dimensions:



Important: Dimensions are approximated and are subject to changes. Please refer to the installation instructions.

Kalia inc.
1355, 2nd Street
Sainte-Marie (Quebec)
Canada G6E 1G9

t. 1-418-387-9090
1 877 GO KALIA (1-877-465-2542)
f. 1-418-387-9089
www.KaliaStyle.com

BF1538
1/2" Volume Control Valve 3 Way Diverter and Decorative Trim

SPECIFICATIONS

Features

- No visible screw
- Water 1/2" male inlet NPT threaded
- Solid brass construction
- Total adjustment of 19 mm (3/4")
- Support for better stability during installation included

Colors (Finishes)

- Chrome : BF1538-110
- Brush Nickel : BF1538-120

Packaging

- **Dimensions:** 305mm x 117mm x 92mm
(12" x 4 5/8" x 3 5/8")
- **Volume:** 0.12 cu ft (0.003 cu m)
- **Total weight:** 2.2 lb (1.0 kg)

Maximum flow rate

- 1 outlet: 22.5 liters/min. (6 gallons/min.) at 60 psi
- 2 outlet: 23.5 liters/min. (6.7 gallons/min.) at 60 psi

Certifications

The specified model meets or exceeds the following standards;

- ASME A112.18.1 / CSA B125.1
- ICC A117.1



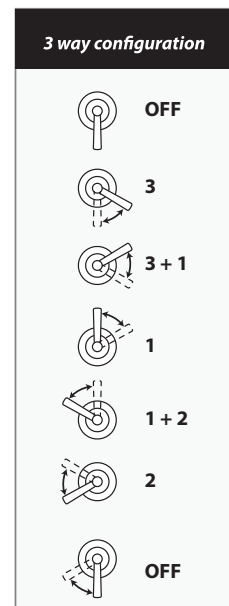
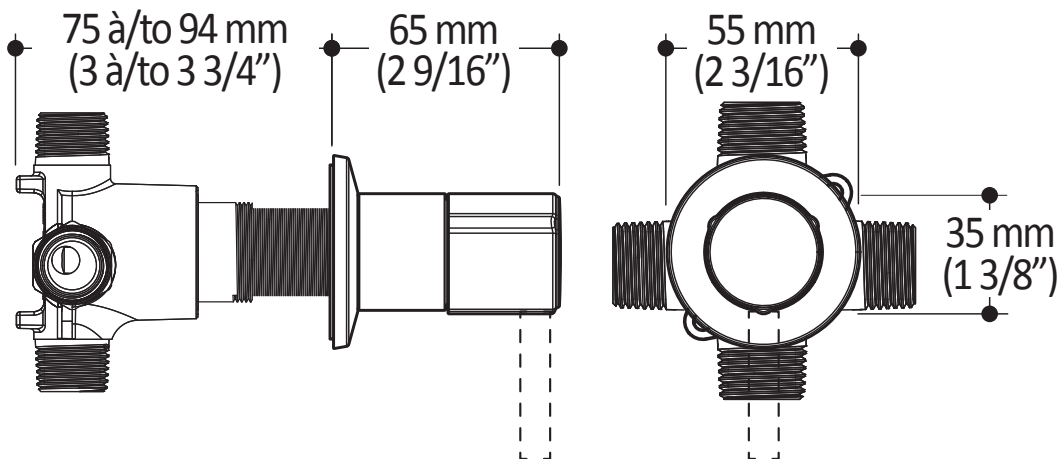
Installation Notes

This product must be installed following the installation instructions provided.

WARRANTY

Kalia Inc. guarantees all aspects of its products to be free of defects in material and workmanship for normal residential use. **Refer to the warranty included with the Kalia products for details.**

Product dimensions:



Important: Dimensions are approximated and are subject to changes. Please refer to the installation instructions.

Kalia inc.
1355, 2nd Street
Sainte-Marie (Quebec)
Canada G6E 1G9

t. 1-418-387-9090
1 877 GO KALIA (1-877-465-2542)
f. 1-418-387-9089
www.KaliaStyle.com



102847 Wall Outlet

SPECIFICATIONS

Features

- Water 1/2" NPT (male or female) inlet
- Water G1/2 male outlet
- Solid brass construction
- PVD finish (Physical Vapour Deposit): A high technology process that protects the surface finish for increased durability

Colors (Finishes)

- Chrome : 102847-110
- Brushed Nickel PVD : 102847-120

Certifications

The specified model meets or exceeds the following standards;

- ASME A112.18.1 / CSA B125.1



Packaging

- **Dimensions:** 305mm x 117mm x 92mm (12" x 4 5/8" x 3 5/8")
- **Volume:** 0.12 cu ft (0.003 cu m)
- **Total weight:** 0.40 lb (0.18 kg)



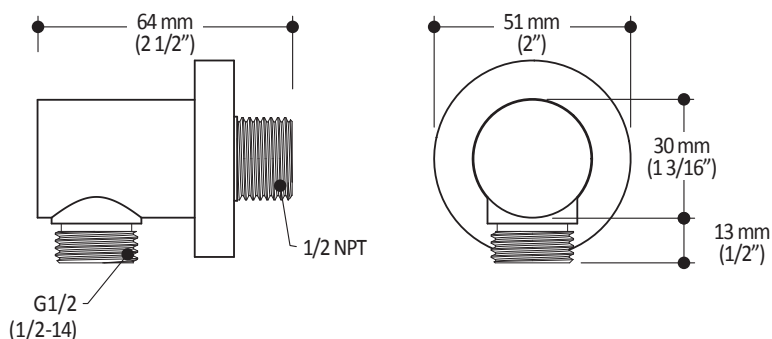
Installation Notes

This product must be installed following the installation instructions provided.

WARRANTY

Kalia Inc. guarantees all aspects of its products to be free of defects in material and workmanship for normal residential use. **Refer to the warranty included with the Kalia products for details.**

Product dimensions:



Important: Dimensions are approximated and are subject to changes. Please refer to the installation instructions.

Kalia inc.
1355, 2nd Street
Sainte-Marie (Quebec)
Canada G6E 1G9

t. 1-418-387-9090
1 877 GO KALIA (1-877-465-2542)
f. 1-418-387-9089
www.KaliaStyle.com