



AMERICAN STANDARD

REM™ WALL-MOUNTED FAUCET



- European minimalist design
- Cast brass spout and side valves
- Ceramic disc valve cartridges
- Lead Free - faucet contains $\leq 0.25\%$ total lead content by weighted volume
- Maximum Flow Rate: 1.5 GPM (5.7L/min)

CODES AND STANDARDS

Meets or Exceeds ASME A112.18.1/
CSA B125.1/NSF 61/Section 9

EPA WaterSense® High Efficiency
Lavatory Faucet Specification

Certified Compliant with 0.25% Weighted
Average Lead Content Regulations

AVAILABLE FINISHES

Polished Chrome
Brushed Nickel

FINISH CODE

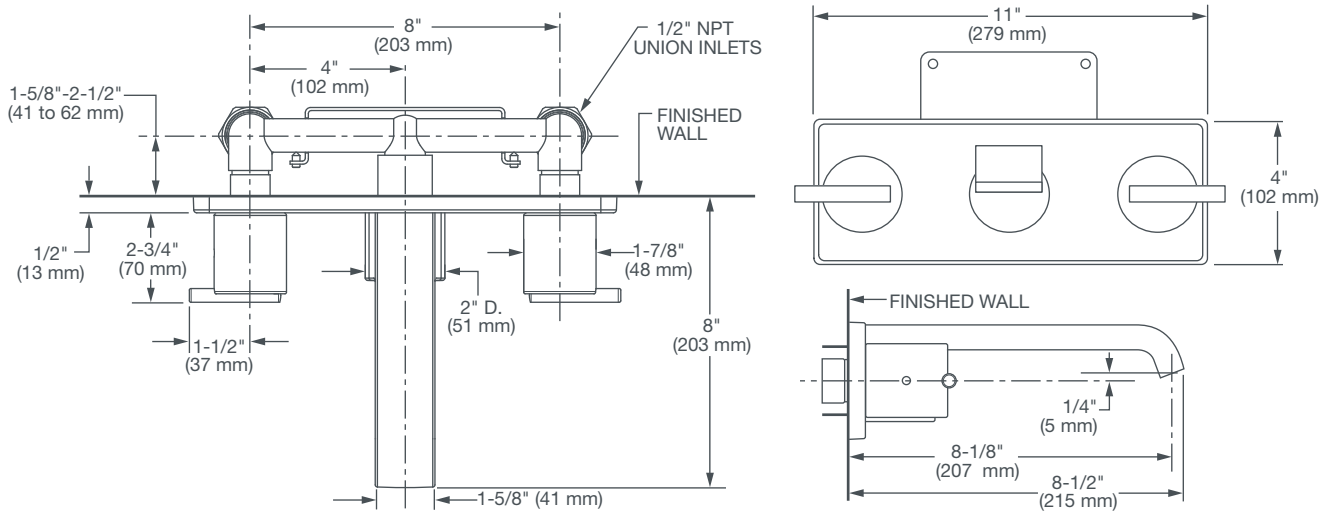
100
144

DESCRIPTION

Wall-Mounted Lavatory
Faucet Trim Kit
Rough Only

PRODUCT NUMBER

D35100450.XXX
D35000450.191



IMPORTANT: These measurements are subject to change or cancellation.
No responsibility is assumed for use of superseded or voided pages.



Meets the Americans with Disabilities Act
Guidelines and ANSI A117.1 Requirements
for the physically challenged.