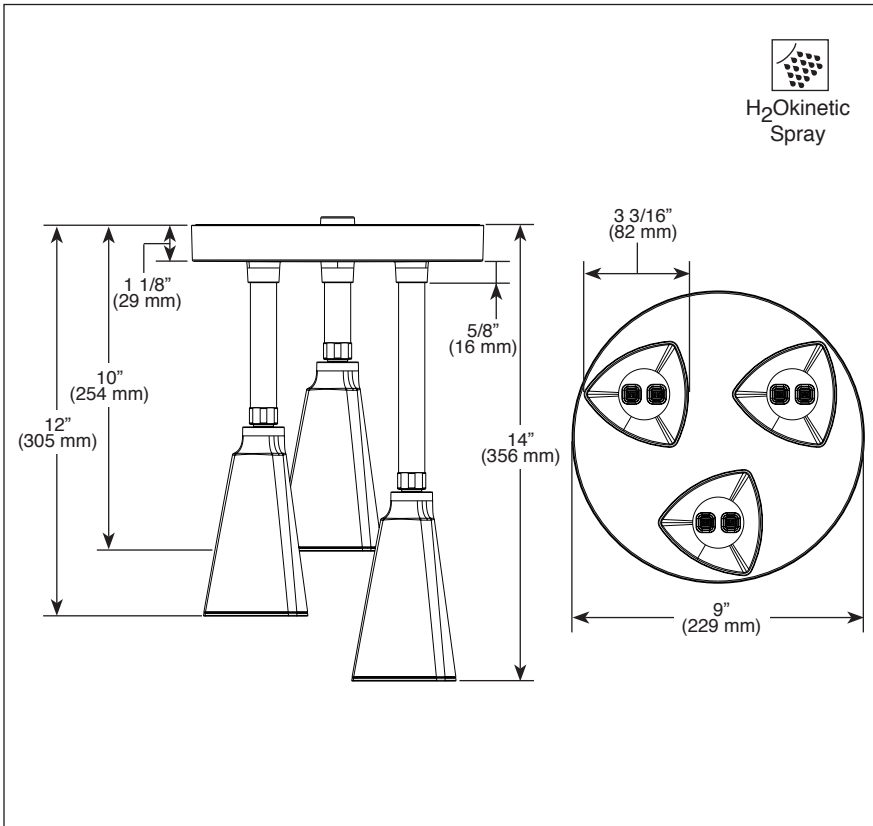


57140▲

Submitted Model No.: \_\_\_\_\_

Specific Features: \_\_\_\_\_



▲ Designate proper finish suffix



see what Delta can do™

## Pendant Raincan

- H2Okinetic Technology® Pendant Raincan
- Single Spray Setting Pendant Raincan

### STANDARD SPECIFICATIONS:

- Maximum 1.75 gpm @ 80 psi, 6.6 L/min @ 550 kPa
- Adjustable pendant showerheads for ideal coverage
- To be used with a 9" (2286 mm) ceiling
- Connects to 1/2" IPS male threads

### WARRANTY

- Lifetime limited warranty on parts (other than electronic parts and batteries) and finishes; or, for commercial users, for 5 years from the date of purchase.
- 5 year limited warranty on electronic parts (other than batteries); or for commercial users, for 1 year from the date of purchase. No warranty is provided on batteries.



### COMPLIES WITH:

- ASME A112.18.1 / CSA B125.1
- EPA WaterSense®

Delta reserves the right (1) to make changes in specifications and materials, and (2) to change or discontinue models, both without notice or obligation. Dimensions are for reference only. See current full-line price book or [www.deltafaucet.com](http://www.deltafaucet.com) for finish options and product availability.