

TOWNSEND® FREESTANDING TUB

2691.004 TOWNSEND FREESTANDING TUB

Product Features:

- Contemporary styling
- Straight back wall allows for a flush-to-the-wall installation
- High quality seamless acrylic construction with fiberglass reinforcement
- Center drain
- Wide deck ledge on one side is ideal for deck mount and/or handshower
- Wide deck ledge can be used to store bath accessories
- Integrated tub drain for easy installation
- Adjustable leveling feet under the tub
- Easy to clean high-gloss surface
- Coordinates with Townsend bathroom suite making a complete bathroom remodel easier
- Limited Lifetime warranty



Nominal Dimensions:

68" x 36" x 24"

(1727 x 915 x 610mm)

Compliance Certifications -

Meets or Exceeds the Following Specifications:

- IAPMO Z124
- CSA B45.5-11

SEE REVERSE SIDE FOR ROUGHING-IN DIMENSIONS
AND PRODUCT SPECIFICATIONS

To Be Specified - Required:

- Color: White

1582.000 Townsend® Drain and Overflow Kit

Choose Finish:

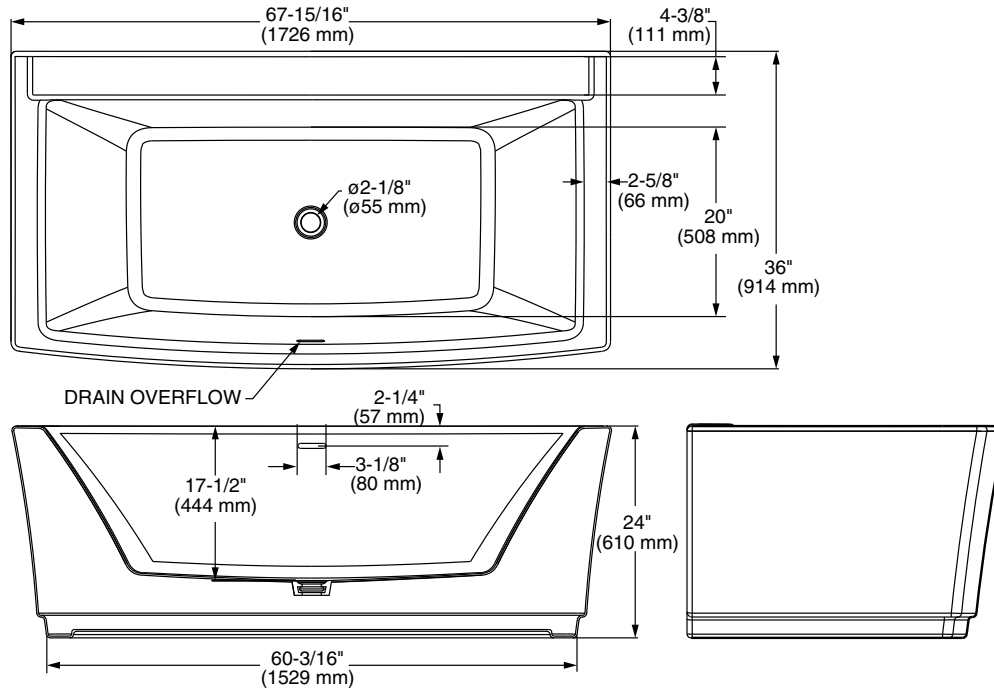
- .002 Chrome
- .295 Brushed Nickel
- .287 Polished Nickel
- .013 Legacy Bronze

Recommended: For concrete slab installation

Drain adapter rough-in suggest

- OS&B® ABS Island Tub Drain™ Rough-In #ITD35
- PVC Island Tub Drain™ Rough-In #ITD5135
or
- Cast Iron Island Tub Drain Rough-In #ID357

Island Tub Drain™ is a registered trademark of OS&B®



GENERAL SPECIFICATIONS FOR 2691 FREE STANDING BATH	
INSTALLED SIZE	68 x 36 x 24 in. (1727 x 914 x 610mm)
WEIGHT	151 Lbs. (69 Kg.)
WEIGHT w/WATER	697 Lbs. (316 Kg.)
GAL. TO OVERFLOW	65 Gal. (246L)
BATHING WELL AT SUMP	41-1/2 x 21-1/2 In. (1054 x 546mm)
BATHING WELL AT RIM	61-7/8 x 29-3/8 In. (1572 x 746mm)
WATER DEPTH TO OVERFLOW	15 In. (381mm)
FLOOR LOADING (PROJECTED AREA)	38 Lbs./Sq.Ft. (186 Kgs./Sq.m)

NOTES:

■ REFER TO INSTALLATION INSTRUCTIONS SUPPLIED WITH BATHTUB FOR ADDITIONAL INFORMATION.

Fittings not included and must be ordered separately.

Provide suitable reinforcement for all supports.

Mounting holes drilled by installer.

IMPORTANT: Dimensions of fixtures are nominal and may vary within the range of tolerances established by ANSI Standard Z124.1.2. These measurements are subject to change or cancellation. No responsibility is assumed for use of superseded or voided leaflet.