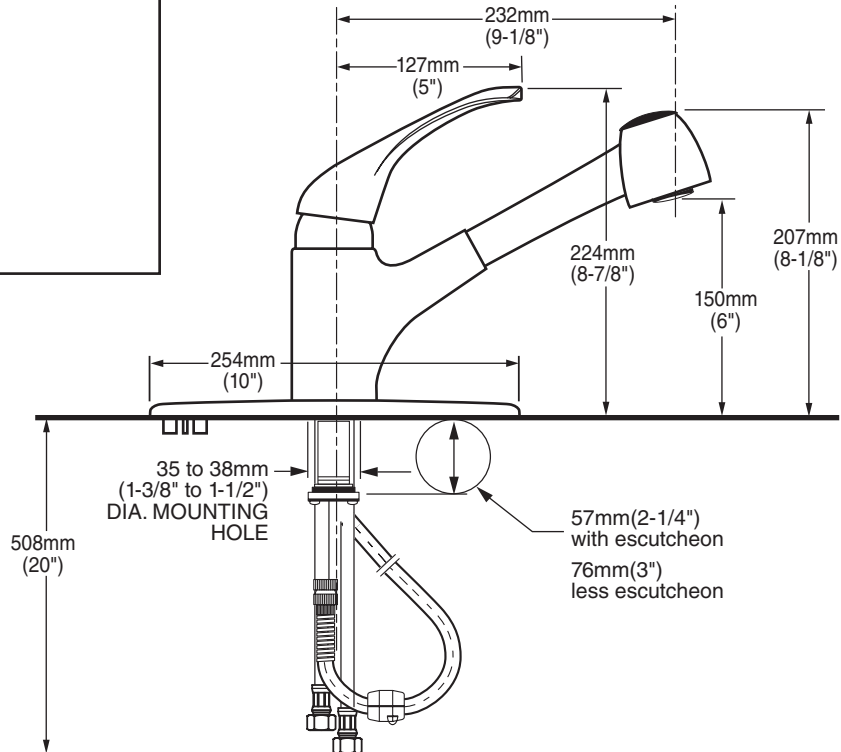




**MODEL NUMBER:**

- ❑ **4205.104 Kitchen Faucet with Pull-out Spray**  
Escutcheon plate (use is optional).
- ❑ **4205.104.F15 Kitchen Faucet with Pull-out Spray**  
Same as above. 1.5gpm flow rate.



**GENERAL DESCRIPTION:**

Metal handle and escutcheon plate. Swivel pull-out spray spout. Adjustable spray pattern with push button activation. Washerless 47mm ceramic disc valve cartridge with integral hot limit safety stop. Braided flexible supply hoses with 3/8" compression connections. Brass mounting shank with brass fixation ring. Complete with two integral check valves. 2.2gpm/8.3L/min. maximum flow rate, 1.5gpm/5.7 L/min. maximum flow rate for F15 models. Fitting can be mounted with or without escutcheon plate (escutcheon size 10"L x 2-3/4"W).

**PRODUCT FEATURES:**

**Ceramic Disc Valve Cartridge:** Assures smooth, precise valve control and a lifetime of drip-free, maintenance-free performance.

**Memory Position Valving:** Allows user to turn valve on and off at preferred temperature setting without readjusting handle position each time.

**Adjustable Hot Limit Safety Stop:** Limits the amount of hot water allowed to mix with cold. Reduces the risk of accidental scalding.

**Lead Free:** Faucet contains  $\leq 0.25\%$  total lead content by weighted average.

**Integral Check Valves:** Prevents back flow.

**Pull-out Spray Spout:** Switches water flow from a stream to a spray. Simplifies even the most difficult cleaning tasks.

**Choice of Finishes:** Wide range of durable finishes.

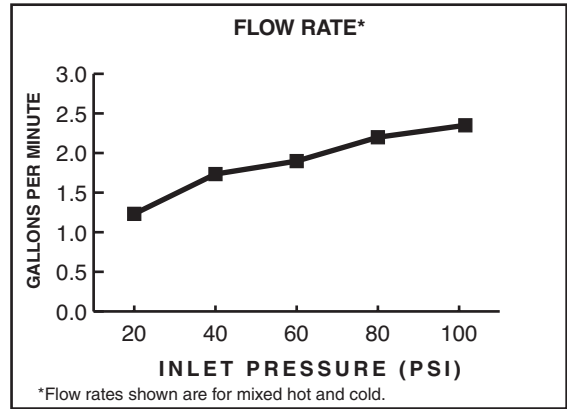
**SUGGESTED SPECIFICATION:**

Single control kitchen pull-out faucet shall feature a swivel pull-out spray spout with two check valves, metal escutcheon plate and handle. Shall also feature washerless ceramic disc valve cartridge with integral hot limit safety stop and flexible supply hoses. Faucet shall be American Standard Model # 4205.104.\_\_\_\_. \_\_\_\_

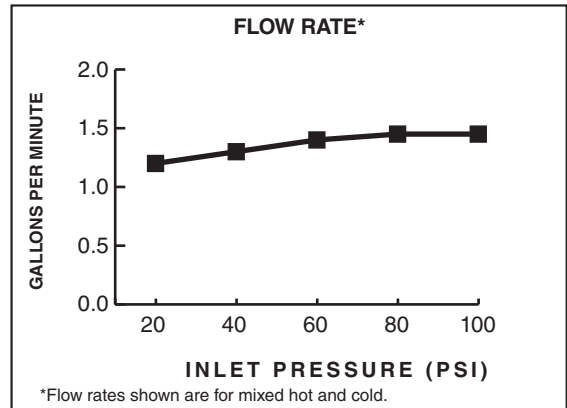
**CODES AND STANDARDS**

These products meet or exceed the following codes and standards:

- ANSI A117.1**
- ASME A112.18.1**
- NSF 61/Section 9 & Annex G**
- CSA B125**




**2.2gpm/8.3L/min. FLOW RATE**



**1.5gpm/5.7 L/min. FLOW RATE**

Product Number	Description	Finish Options		
		Polished Chrome	Stainless Steel (PVD)	Matte Black
		002	075	242
4205.104	Pull-out kitchen faucet.			
4205.104.F15	Same as above. 1.5gpm flow rate.			

 Meets the American Disabilities Act Guidelines and **ANSI A117.1** Requirements for the physically challenged.