

T105.508 Bath/Shower Trim Shown

**MODEL NUMBER:**

**TRIM KIT:**

- T105.508 Studio S BATH/SHOWER Trim Kit  
Lever Handle. LESS Valve Body.
- T105.507 Studio S SHOWER ONLY Trim Kit  
Lever Handle. LESS Valve Body.

*For use with R111 Series Pressure Balance Valves.  
See reverse side for available Rough Valves.*

**GENERAL DESCRIPTION:**

**SHOWERHEAD**

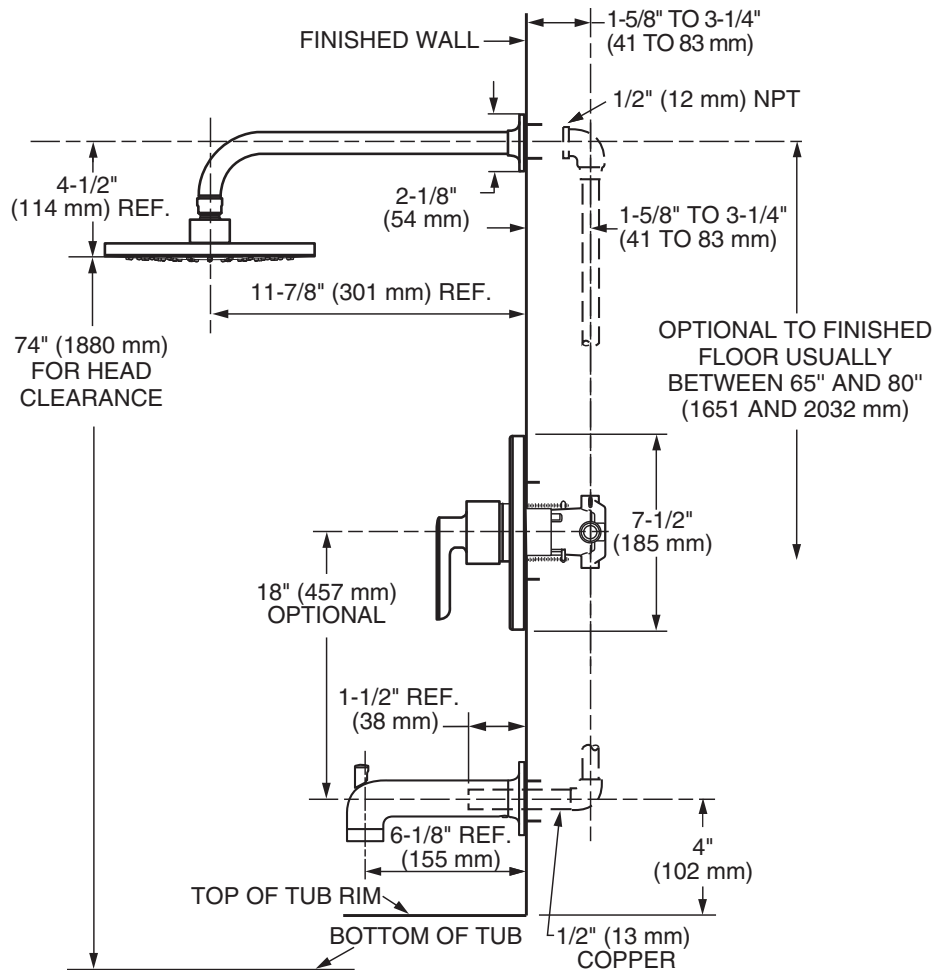
Water saving rain showerhead offers performance and water savings at a 1.8 gpm/6.8L/min. flow rate.

**WALL TUB SPOUT**

Metal slip-on diverter spout.

**WALL VALVE TRIM**

Available with metal lever handle.  
Metal wall escutcheon.



ADA COMPLIANT



EPA  
WATERSENSE®  
CERTIFIED

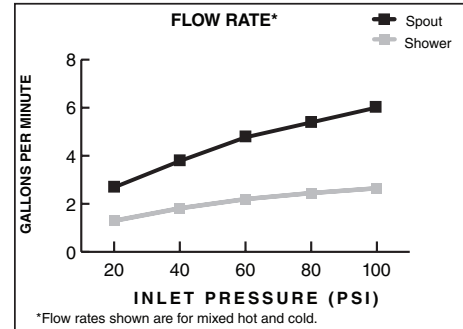
**SUGGESTED SPECIFICATION**

Bath/shower fitting shall feature rain showerhead with Max. 1.8 gpm/6.8L/min. flow rate. Fitting shall be: American Standard - Trim Kit Model # T105.50\_\_\_ and Valve Body Model #R11\_\_.

**CODES AND STANDARDS**

These products meet or exceed the following codes and standards:

- ANSI A 117.1
- ASSE 1016
- ASME A112.18.1
- CSA B 125.1



TRIM KITS *	Product Number	Description	* TRIM & ROUGH MUST BE ORDERED SEPARATELY.	Finish Options		
				Polished Chrome	PVD Brushed Nickel	Matte Black
				002	295	243
	T105.508	Bath/Shower Trim Kit. Metal Lever Handle. LESS Valve Body.	ADA			
	T105.507	Shower Only Trim Kit. Metal Lever Handle. LESS Valve Body.	ADA			

ROUGH VALVE BODIES	Product Number	Description
	R111	Rough Valve Body less trim. Universal inlets/outlets.
	R111SS	Rough Valve Body less trim. Universal inlets/outlets with Screwdriver Stops.
	R115	Rough Valve Body less trim. Female Thread inlets/outlets.
	R115SS	Rough Valve Body less trim. Female Thread inlets/outlets with Screwdriver Stops.
	R117	Rough Valve Body less trim. PEX inlets/universal outlets for Crimp Ring PEX system (ASTM F1807).
	R117SS	Rough Valve Body less trim. PEX inlets/universal outlets for Crimp Ring PEX system (ASTM F1807) with Screwdriver Stops.
	R118	Rough Valve Body less trim. PEX inlets/universal outlets for Cold Expansion PEX system (ASTM F1960).
	R118SS	Rough Valve Body less trim. PEX inlets/universal outlets for Cold Expansion PEX system (ASTM F1960) with Screwdriver Stops.
	R119	Rough Valve Body less trim. CPVC inlets/universal outlets.
R119SS	Rough Valve Body less trim. CPVC inlets/universal outlets with Screwdriver Stops.	

ADA Meets the American Disabilities Act Guidelines and ANSI A117.1 Requirements for the physically challenged.