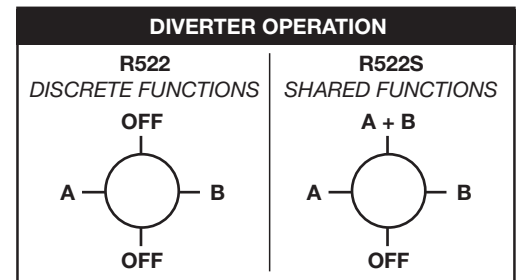
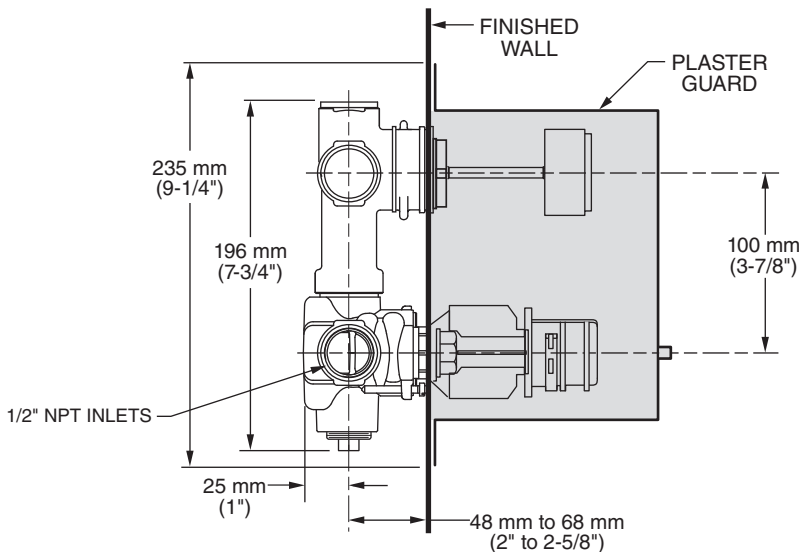


MODEL NUMBER:

- ❑ **R522 Two-Handle Thermostatic Rough Valve with Built-In 2-Way Diverter (Discrete)**
 1/2" NPT inlets/outlets. 2 Discrete Functions. LESS Trim.

- ❑ **R522S Two-Handle Thermostatic Rough Valve with Built-In 2-Way Diverter (Shared)**
 1/2" NPT inlets/outlets. 2 Discrete Functions/1 Shared Functions. LESS Trim.



GENERAL DESCRIPTION:

Cast brass valve body. The single unit contains two handles, the bottom handle sets the desired temperature and the metal top handle controls on/off, volume and diverter functions. The temperature is maintained by a wax element moving a shuttle valve between hot and cold. The volume is controlled by twin ceramic disc valve cartridges. Ceratherm includes Hot Limit Safety Stop. Maximum temperature limit is 112°F. 1/2" NPT inlets and outlets.

PRODUCT FEATURES:

- Brass Casting:** Highest quality faucet material for durability & long life.
- Built-in Diverter:** Allows user to choose between 2 or 3 separate shower outlets.
- Wax Thermostatic Unit:** Permits shuttle valve to move between the hot and cold seat to maintain the pre-selected constant water temperature.
- Back to Back Capable:** Hot and cold can be reversed.
- Spring-Loaded Check Valves:** When the hot and cold water enters the fitting, both supplies pass through the spring-loaded check valves to prevent cross flow of hot and cold water.
- Integrated Stop Valves:** Ensure easy cleaning and servicing.
- Adjustable Hot Limit Safety Stop:** Limits the amount of hot water allowed to mix with cold. Reduces the risk of accidental scalding. Maximum water temperature limit may be reduced to 104 or 109 degrees Fahrenheit.

SUGGESTED SPECIFICATION

Two-handle thermostat shall feature a cast brass valve body. Shall feature built-in diverter. Thermostat shall be a wax element shuttle valve. Shall also feature ceramic disc valving, 1/2" NPT inlets and outlets. Fitting shall be American Standard Model # R52_.



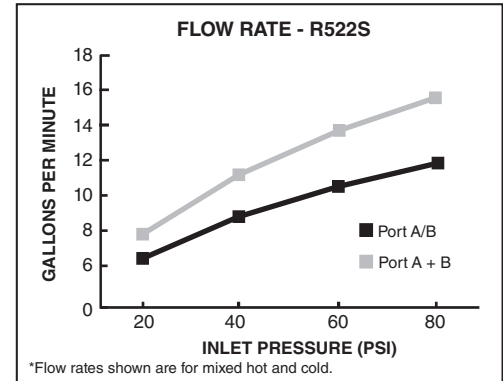
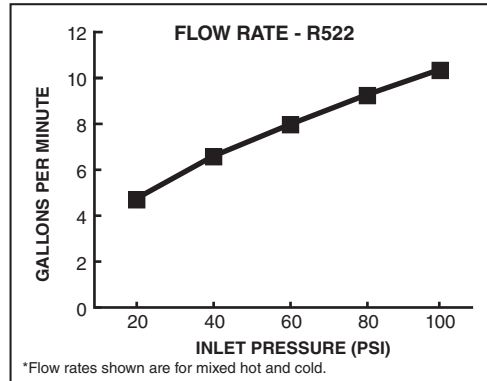
ROUGH VALVES

TWO-HANDLE THERMOSTAT WITH BUILT-IN 2-WAY DIVERTER

CODES AND STANDARDS

These products meet or exceed the following codes and standards:

- ASSE 1016
- ASME A112.18.1
- CSA B125.1



Meets the American Disabilities Act Guidelines and ANSI A117.1 Requirements for the physically challenged.

ROUGH VALVE BODIES	Product Number	Description
	R522	Two-Handle Thermostatic Rough Valve with Built-In 2-Way Diverter. 1/2" NPT Inlets/Outlets. 2 Discrete Functions. LESS Trim.
	R522S	Two-Handle Thermostatic Rough Valve with Built-In 2-Way Diverter. 1/2" NPT Inlets/Outlets. 2 Discrete Functions/1 Shared Functions. . LESS Trim.

R522 and R522S will accept the following trims:

AVAILABLE TRIM KITS	Town Square®	Serin®	Green Tea®	Times Square®	Townsend®
	T555.740	T064.740 	T010.740 	T184.740 	T353.740
	Moments®	Berwick®	Portsmouth®	Quentin™	
	T506.740 	T430.740	T420.740	T440.740 	