

Aquawash® 2.0 Manual Operated SpaLet® Seat

8019A60GPC.020- Elongated Seat

- Two independent water sprays for front and back cleansing.
- The dual water spray system is self cleansing. Each nozzle is rinsed with water before and after each use.
- Instant heating provides unlimited warm water on demand
- The heated seat function has 3 levels including OFF. Temperature can be easily adjusted for comfort
- Soft night light to guide you at night.
- Slow-close seat and lid
- One button push that allows the user to easily detach the seat for convenient cleaning of hard-to-reach areas
- Stylish, 95 mm low profile design for use with most elongated bowls
- Dial for manual operation control attached to the side of the seat
- Seat weighs 7.20 lbs. (3.3 kg)



Nominal Dimensions:

14-7/16" x 20" x 3-3/4"
(367 x 508 x 95 mm)

Available Spare Parts:

- **760242-200.0070A** - Mounting Kit
- **760240-200.0070A** - Bidet Shield

Compliance Certifications -

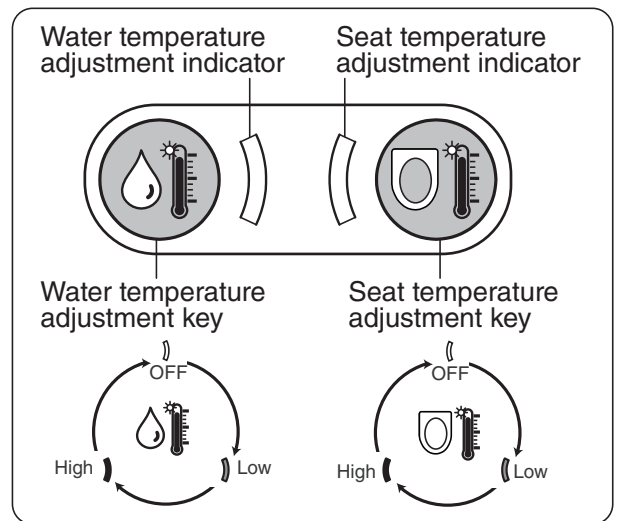
Meets or Exceeds the Following Specifications:

- ASME A112.4.2/CSA B45.16
- Personal Hygiene and Health Care Appliances - UL 1431
- Motor-operated appliances (household and commercial) - CSA C22.2 No.68-14
- Update No. 3
- Household Cooking and Liquid-Heating Appliances - CSA C22.2 No. 64-14 Certifications:
- IAPMO(cUPC)
- State of Massachusetts Code Compliance:
- UPC
- IPC
- NSPC
- NPC Canada

Rated Power Source : 120 VAC, 60 Hz

Rated Power Consumption : 1,000 W

Power Cord Effective Length : 42" (1067mm)



SEE REVERSE FOR ROUGHING-IN DIMENSIONS AND PRODUCT SPECIFICATIONS

To Be Specified:

Color: 020 White



Dual Nozzle



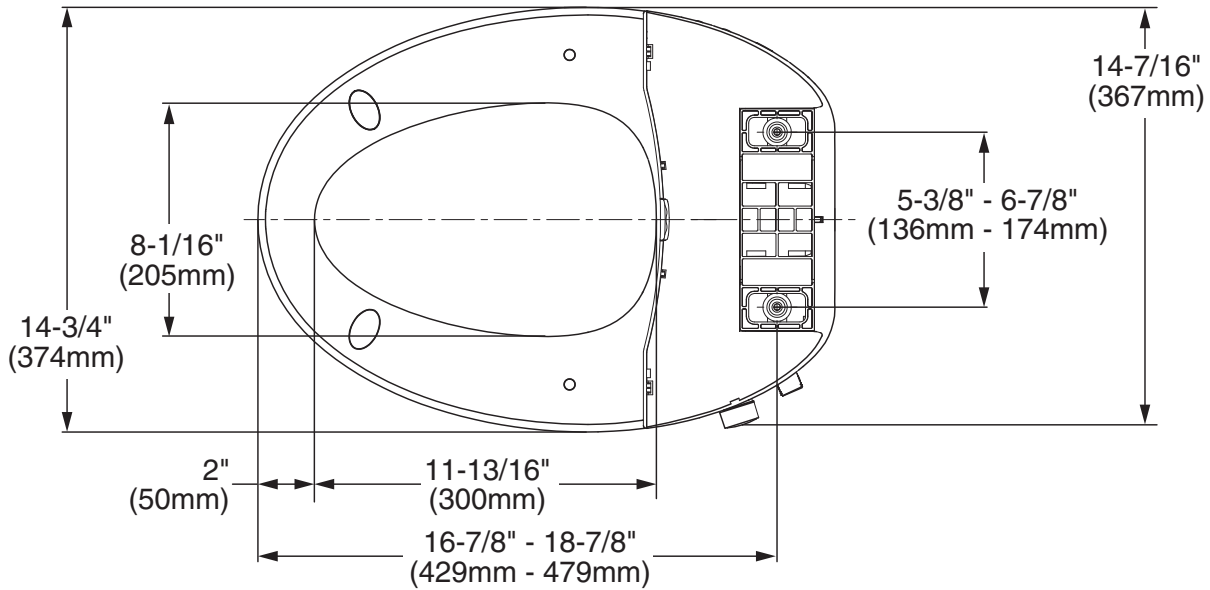
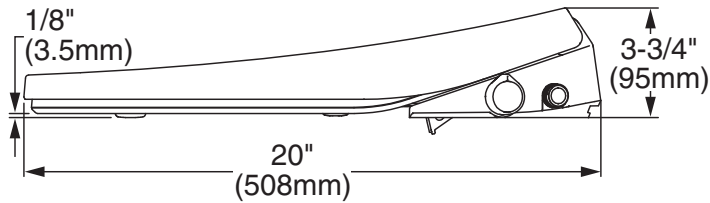
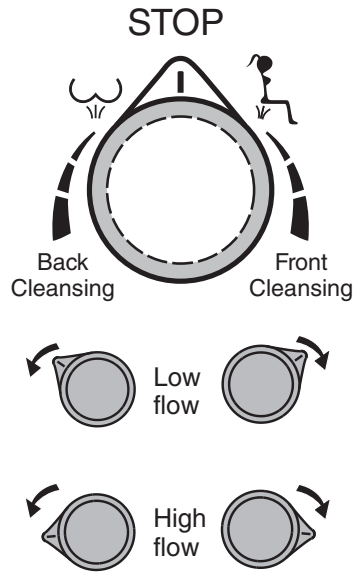
Self-Cleaning Nozzle



Instant Heating



Heated Seat



IMPORTANT:

Dimensions of fixtures are nominal and may vary within the range of tolerance established by ANSI Standard A112.19.2. These measurements are subject to change or cancellation. No responsibility is assumed for use of superseded or voided pages.