

INSTALLATION INSTRUCTIONS CARE AND MAINTENANCE

*American
Standard*

Studio® S 8725/8726 Series Vanity / Vanity Top

Thank you for selecting American Standard - the benchmark of fine quality for over 100 years. To ensure this product is installed properly, please read these instructions carefully before you begin. (Certain installations may require professional help.) Also be sure your installation conforms to local codes.

CAUTION: PRODUCT IS FRAGILE. TO AVOID BREAKAGE AND POSSIBLE INJURY HANDLE WITH CARE!
NOTE: Pictures may not exactly define contour of china and components.

OBSERVE LOCAL PLUMBING AND BUILDING CODES

Recommended Tools



Putty Knife



Level



Regular Screwdriver



Phillips Screwdriver



Adjustable Wrench



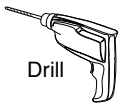
Channel Lock Pliers



Hacksaw



Pipe Wrench



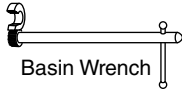
Drill



Plumbers' Putty
or Caulking



Tubing Cutter



Basin Wrench



Saber Saw

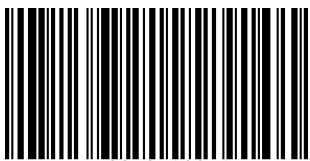


Tape Measure

Recommended Materials

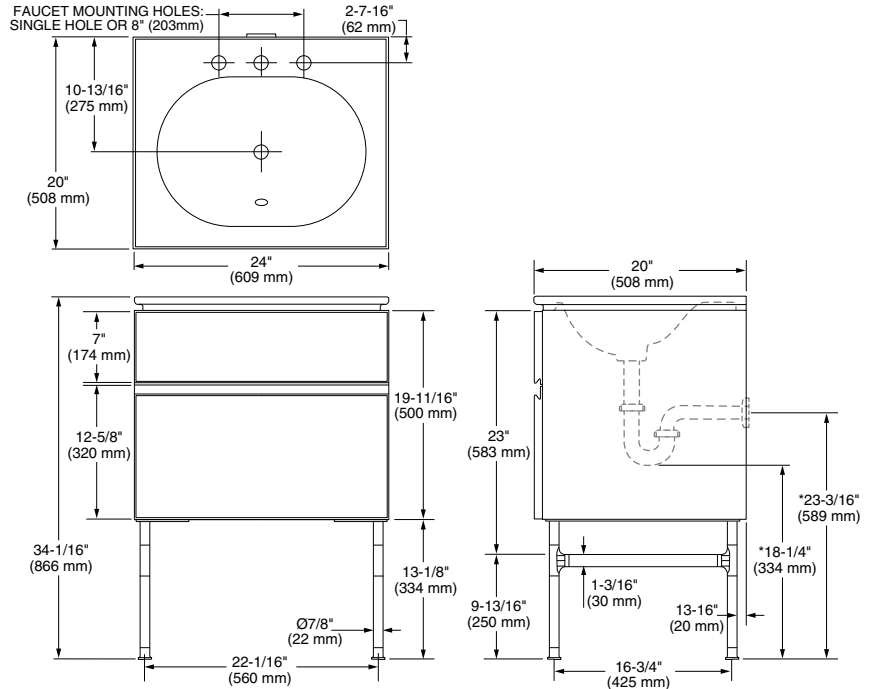
3 #10 x 2" wood screws

Product names listed herein are trademarks of AS America, Inc.
© AS America, Inc. 2020

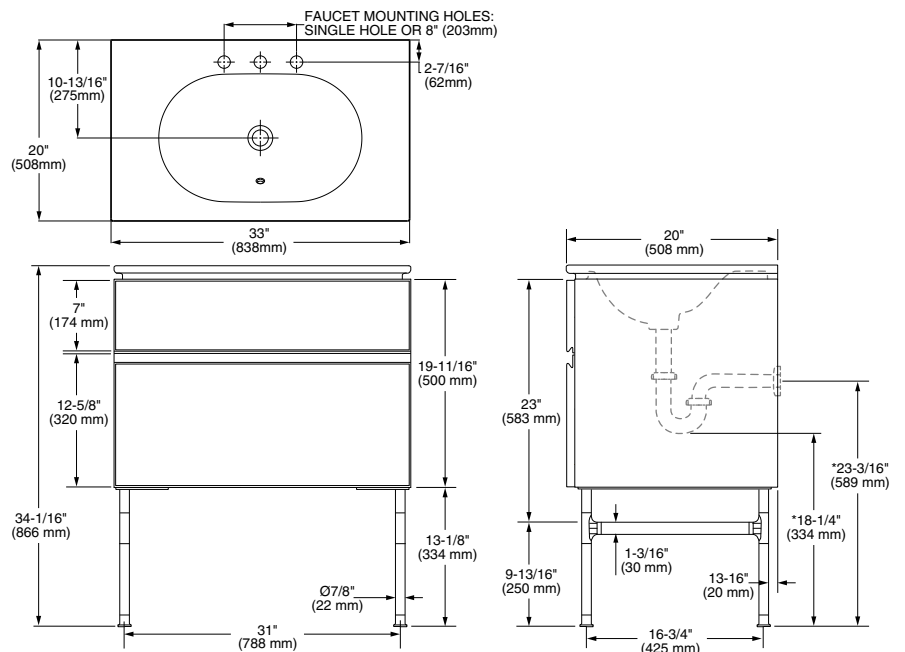


770278-100R1

Studio® S 24" Single Vanity



Studio® S 33" Single Vanity

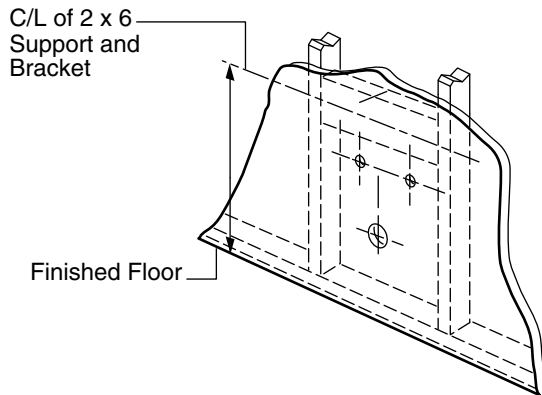


SAVE FOR FUTURE USE

1 Wall Preparation For Vanity Installation

Provide suitable reinforcement behind finished wall for vanities mounting cleat. Vanity must be mounted to a solid wall surface behind the wall.

Note: If replacing an existing sink be certain to shut off water supply prior to removing old sink.



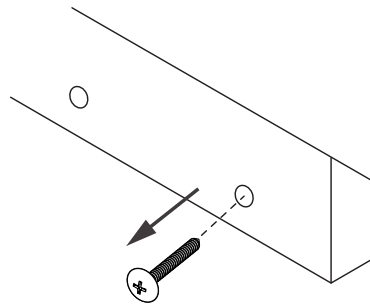
2 Removing Vanity Drawers

Remove sliding drawers which will allow easier access to installation of vanity by pushing grey plastic tabs outwards releasing from drawer tracks, then gently pull drawer up and out for each drawer.

3 Removing Cleat Screws

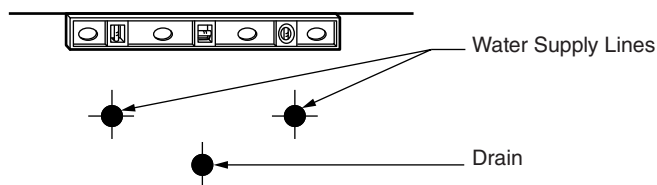
Remove screws holding wall mounted cleat to vanity. Also remove cleat from the optional Bridge if being used.

Note: If installing optional legs to vanity or optional Bridge, proceed to procedures below for: Installing Optional Legs.



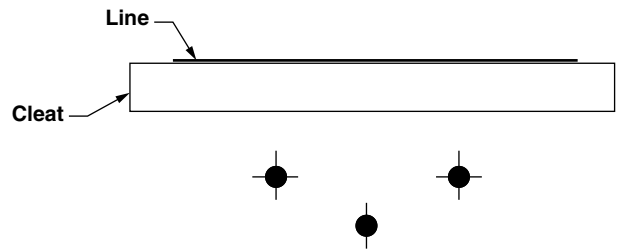
4 Mark Wall

Strike a "level line" on wall where top of cleat will be installed. If optional legs are used, ensure placement of cleat accounts for overall height of vanity and legs when assembled together.



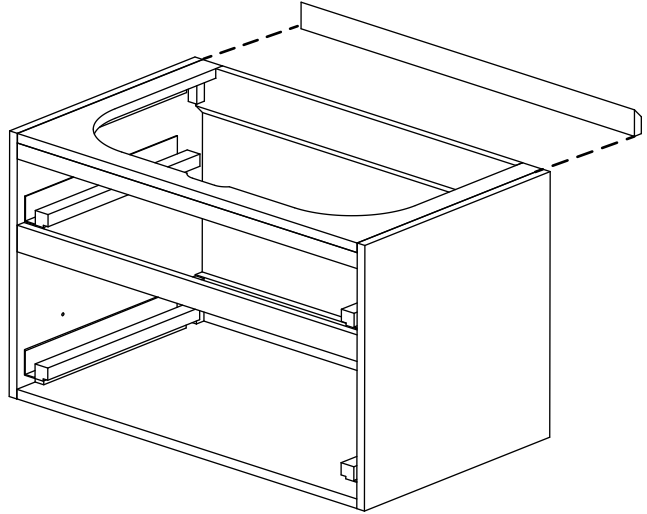
5 Installing Vanity Cleat

Place cleat on line, check level and screw in place using 3 #10 x 2" wood screws.



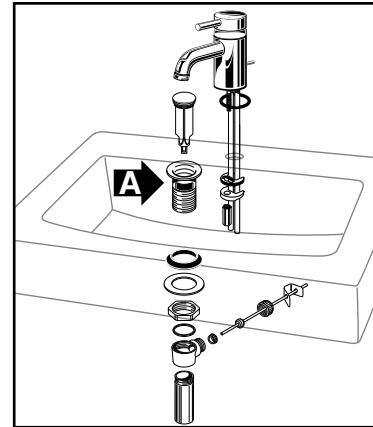
6 Installing Vanity Onto Cleat

Place vanity onto cleat on the wall and check for level in two directions, front to back and side to side. Shim as needed to ensure vanity is level.



7 Faucet And Drain Installation

Following manufacturer's instructions, install faucet and drain assembly (not included). Apply a bead of sealing putty on the underside of the drain (see detail A) in order to ensure a watertight seal between the sink and the drain. Remove excess putty after installing drain on sink.



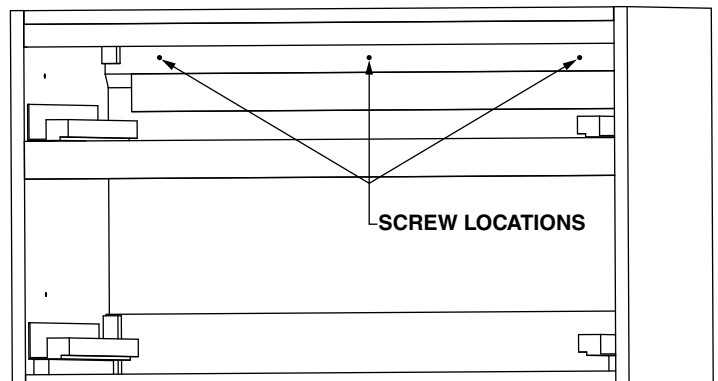
8 Attaching Vanity To Wall

Using 3 #10 x 2" wood screws, screw through the back wall of the vanity firmly securing it to the wall. Repeat procedure if using Optional Bridge or second vanity.

Note: If installing Optional Wooden Counter Top, proceed to **Step 13 Installing Optional Wooden Counter Top.**

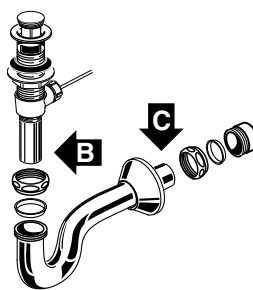
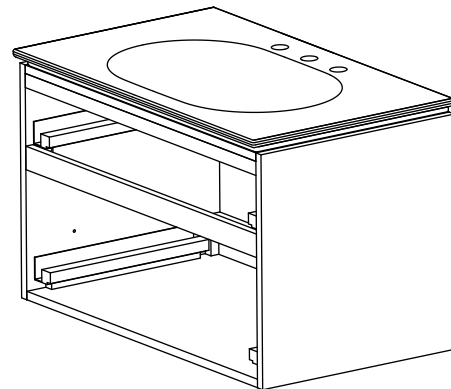
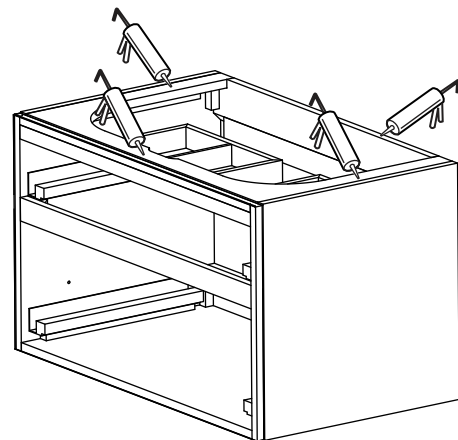
Note: If installing Optional Bridge or a second vanity to the bridge, see **Step 11 Connecting Optional Bridge to Vanities.**

FRONT VIEW OF VANITY



9 Sink To Vanity Installation

- a) Apply a bead of caulk or adhesive around all 4 sides of the top edge of the vanity where the sink will sit. Refer to Illustration.
- b) Place the sink onto the vanity and carefully over the trap assembly ensuring sink sits evenly (left to right) over the vanity and against the rear wall. See Illustration.
- c) Clean up any adhesive that may run out.
- d) Connect hot and cold supply lines between the fitting valve and the supply shut-off valves.
- e) Connect the trap to the drain assembly and hand-tighten to check alignment. It may be necessary to cut off part of the tailpiece (see detail B) or part of the horizontal leg of the trap (see detail C). See Illustration.
- f) Tighten trap joints for watertight assembly.



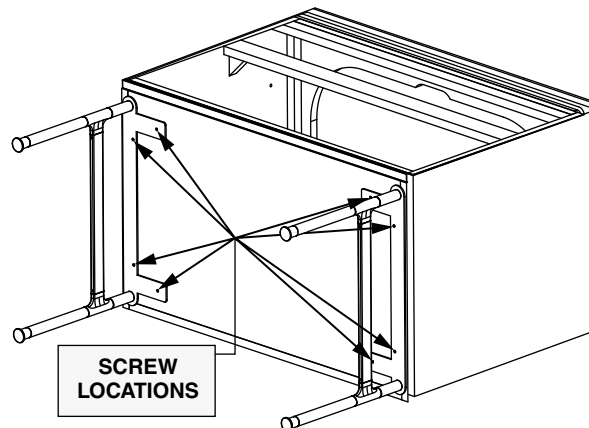
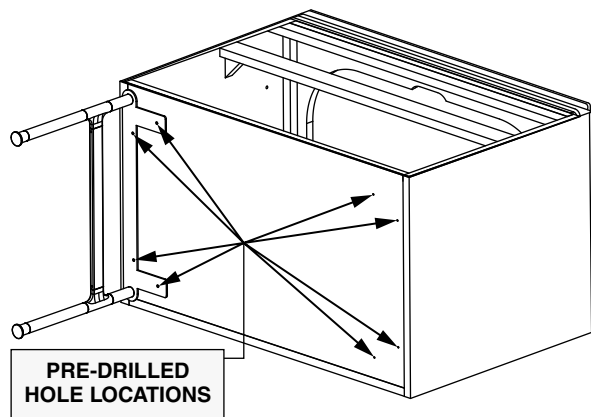
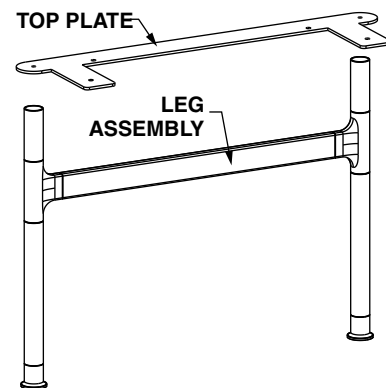
If installing optional bridge to vanities, follow **STEP 11: Connecting Optional Bridge to Vanities**.

10 Installing Optional Legs on a Single Vanity

Remove all components from packaging, leg assembly and top plate. Screw top plate to leg assembly using supplied screws.

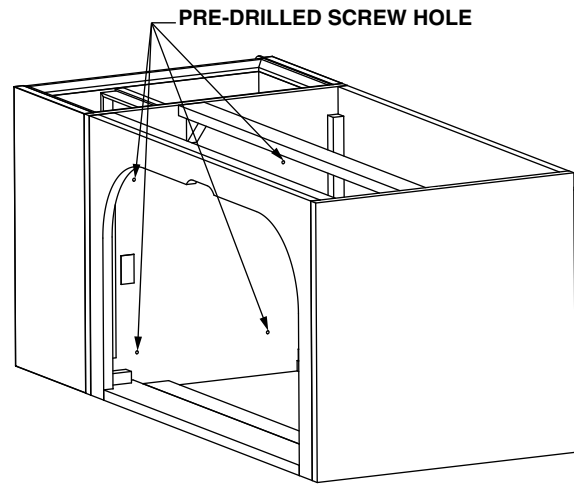
Lay vanity on its back side on the floor and note pre-drilled hole locations on the bottom/underside of the vanity.

Take leg assembly and line up holes in top plate with holes in vanity and screw leg assembly to vanity with supplied M6 pan head screws. 4 screws required for each leg assembly. Each individual leg can be adjusted for height (up or down) by turning bottom feet clockwise or counterclockwise.



11 Connecting Optional Bridge to Vanities

From inside the vanity there are 4 pre-drill locations, screw into each pre-drill location from the vanity into the bridge using supplied #6 1-1/4" screws connecting bridge to vanity. If a second vanity is being used, install 4 #6 1-1/4" screws into the 4 pre-drilled locations in the second vanity into the bridge.



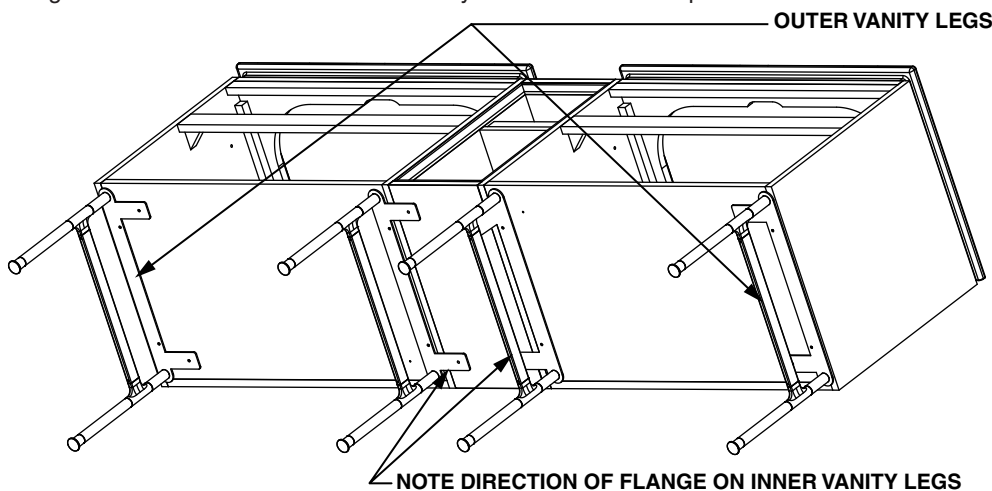
12 Installing Optional Legs on Dual Vanity With Bridge

Install the outer vanity legs onto the pre-drilled holes of the vanity using x4, supplied M6 pan head screws as noted in the illustration.

Install the inner set of vanity legs between the opposite side of vanity and one side of the bridge as shown in illustration using the x4 supplied M6 pan head screws. Attach other leg assembly over second vanity and opposite side of bridge in the same manor.

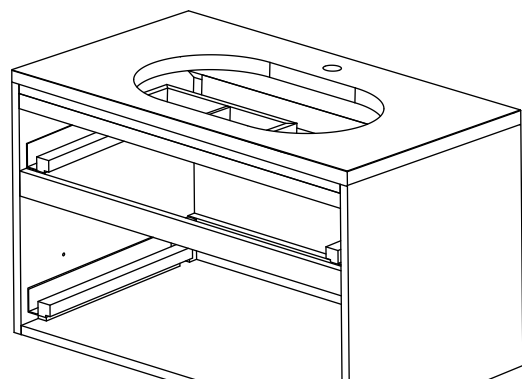
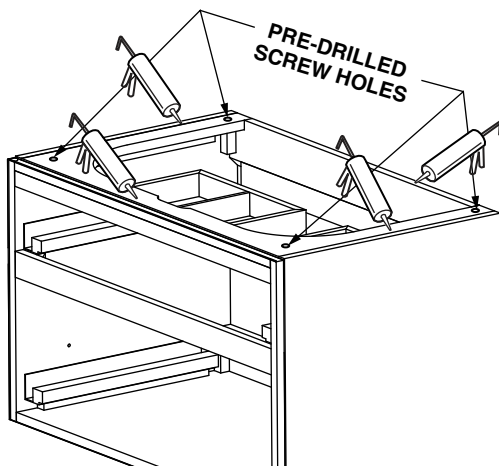
Note: 24" double vanities do not require an inner set of vanity legs

Note: With all optional legs connected to the vanities and optional bridge, it will be necessary to screw the optional bridge to the vanities in order to secure all 3 pieces together as one piece before mounting onto the cleats on the wall. Follow "Connecting Optional Bridge To Vanities" then continue with vanity installation from Step 6.



13 Installing Optional Wooden Counter Top

- Apply a bead of adhesive around all 4 sides of the top edge of the vanity where the Wooden Counter Top will sit.
- Place the counter top evenly on top of the vanity and clean any adhesive that may run out.
- Attach optional wooden counter top with 4 #6 x 1-1/4" screws supplied. With the drawers removed from the vanity, locate 4 pilot holes in top of unit. Install screws through the 4 pilot holes from the **underside** up into the bottom of the countertop.



FURNITURE CARE INSTRUCTIONS: Rinse the product clean with clear water. Dry with a soft cotton flannel cloth.
DO NOT: Clean with soaps, acid, polish, abrasives, harsh cleaners, or a cloth with coarse surface.

AS AMERICA, INC. BATHROOM FURNITURE LIMITED WARRANTY

If inspection of this AS America, Inc. ("American Standard[®]") plumbing product, within one year after its initial purchase, confirms that it is defective in materials or workmanship, American Standard will repair or, at its option, exchange the product for a similar model. Variations in actual wood color and finishes which may result from natural characteristics of the wood, such as grain patterns, mineral streaks and the like, are not defects and are not covered by this limited warranty.

This limited warranty applies only to the original purchaser and installation of these products. In the event of a claim, proof of purchase will be required – **save sales receipts.**

This limited warranty does not apply to local building code compliance. Since local building codes vary considerably, the purchaser of this product should check with a local building or plumbing contractor to ensure local code compliance before installation.

This limited warranty is void if the product has been moved from its initial place of installation; if it has been subjected to faulty maintenance, abuse, misuse, accident or other damages; if it was not installed in accordance with American Standard's instructions; or if it has been modified in a manner inconsistent with the product as shipped by American Standard.

American Standard's option to repair or exchange the product under this limited warranty does not cover any labor or other costs of removal or installation, nor shall American Standard be responsible for any other incidental or consequential damages attributable to a product defect or to the repair or exchange of a defective product, all of which are expressly excluded from this limited warranty. This limited warranty does not cover any liability for consequential or incidental damages, all of which are hereby expressly disclaimed, or the extension beyond the duration of this limited warranty or any implied limited warranties, including those of merchantability or fitness for an intended purpose. (Some states or provinces do not allow the exclusion or limitation of implied limited warranties, so this exclusion may not apply to you).

This limited warranty gives you specific legal rights. You may have other statutory rights that vary from state to state or province to province, in which case this limited warranty does not affect such statutory rights.

In the United States:

American Standard Brands
1 Centennial Ave.
Piscataway, NJ 08854

Attention: Director of Customer Care

For residents of the United States, warranty information may also be obtained by calling the following toll free number: (800) 442-1902
www.americanstandard.com

In Canada:

LIXIL Canada, ULC
5900 Avebury Rd.
Mississauga, Ontario
Canada L5R 3M3
Toll Free: (800) 387-0369
www.americanstandard.ca

In Mexico:

American Standard B&K Mexico
S. de R.L. de C.V.
Via Morelos #330
Col. Santa Clara
Ecatepec 55540 Edo. Mexico
Toll Free: 01-800-839-1200
www.americanstandard.com.mx

AMERICAN STANDARD ONE-YEAR LIMITED WARRANTY

If inspection of this American Standard plumbing product, within one year after its initial purchase, confirms that it is defective in materials or workmanship, American Standard will repair or, at its option, exchange the product for a similar model.

This warranty **does not apply** to local building code compliance. Since local building codes vary considerably, the purchaser of this product should check with a local building or plumbing contractor to insure local code compliance before installation.

This warranty **shall be void** if the product has been moved from its initial place of installation; if it has been subjected to faulty maintenance, abuse, misuse, accident or other damage; if it was not installed in accordance with American Standard's instructions; or if it has been modified in a manner inconsistent with the product as shipped by American Standard.

American Standard's option to repair or exchange the product under this warranty does not cover any labor or other costs of removal or installation, **nor shall American Standard be responsible for any other incidental or consequential damages attributable to a product defect or to the repair or exchange of a defective product, all of which are expressly excluded from this warranty.** (Some states or provinces do not allow the exclusion or limitation of implied warranties, so this exclusion may not apply to you.)

This warranty gives you specific legal rights. You may have other statutory rights that vary from state to state or from province to province, in which case this warranty does not affect such statutory rights.

For service under this warranty, it is suggested that a claim be made through the contractor or dealer from or through whom the product was purchased, or that a service request (including a description of the product model and of the defect) be sent to the following address:

In the United States:

American Standard Brands
1 Centennial Ave.
Piscataway, NJ 08854

Attention: Director of Customer Care

For residents of the United States, warranty information may also be obtained by calling the following toll free number: (800) 442-1902
www.americanstandard.com

In Canada:

LIXIL Canada, ULC
5900 Avebury Rd.
Mississauga, Ontario
Canada L5R 3M3
Toll Free: (800) 387-0369
www.americanstandard.ca

In Mexico:

American Standard B&K Mexico
S. de R.L. de C.V.
Via Morelos #330
Col. Santa Clara
Ecatepec 55540 Edo. Mexico
Toll Free: 01-800-839-1200
www.americanstandard.com.mx