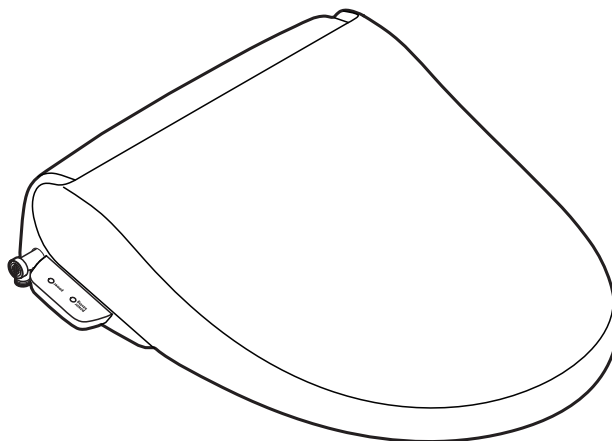




INSTALLATION & USER MANUAL

Advanced Clean 2.5

SpaLet®



Thank you for purchasing this product.

After reading this manual, please keep it in a place where you can refer to it easily.

BE SURE TO FOLLOW THE SAFETY PRECAUTIONS.

Failure to follow the safety precautions may result in serious accidents in some circumstances.

Each of these items are extremely important for safety, and should be strictly observed.

In the event that an accident occurs as a result of improper usage, American Standard will assume no responsibility for damages.

©2017 AS America Inc.
SPALET is a trademark of AS America, Inc.

INSTALLATION TABLE OF CONTENTS

1. Important Safeguards	3
2. Product Description	5
3. Installing This Product	6
Installation Requirements	6
Contents	6
Ground Fault Circuit Breaker	7
Power Supply	7
Grounding	7
Installation Location	7
Water Supply	7
Checking the Bathroom	7
Measure the size of the Toilet	8
Conditions for using Water Supply Hose	8
Illustrated Parts Breakdown	9
Overview	9
Strainer	9
Remote	10
Installation	11
Operational Check	16
4. Operation Manual / Table of Contents	17

1. IMPORTANT SAFEGUARDS

When using electrical products, especially when children are present, the basic safety precautions should always be observed.

READ ALL THE INSTRUCTIONS BEFORE USING THIS PRODUCT

The following safety terms are used in this manual to warn against different hazardous situations:

DANGER– To reduce the risk of electrocution:

1. Do not place or store product where it can fall or be pulled into a tub or sink.
2. Do not place in or drop into water or other liquid.
3. Do not reach for a product that has fallen into water. Unplug immediately.



WARNING

To reduce the risk of burns, electrocution, fire or injury to persons:

1. When small children, elderly persons, persons with limited mobility or people with illness are using this product, ensure that the proper operating procedures are followed at all times to ensure the user's safety.
2. When you are using this product for a long period of time, set the seat temperature to "Off".
For the following persons, be sure to set the seat temperature to "Off" when they are using this product.
(Children, elderly persons, persons with illness, persons with limited mobility, persons with sensitive skin, persons who are taking medicines that cause drowsiness, persons who are intoxicated, or persons who are extremely fatigued.)
* Using the toilet for a long period of time without setting the seat temperature to "Off" may result in low temperature burns.

Low Temperature Burns

A low temperature burn may occur when the skin has been in contact for some time with an object at relatively low temperature (about 104 °F [40 °C]). Susceptibility to burns also depends on an individual's skin sensitivity and other factors.

3. This product should be used only as described in this manual. Do not use attachments that are not recommended by the manufacturer.
4. Never operate this product if it has a damaged cord or plug, if the plug is loose in the outlet, if it is not working properly, or if it has been dropped or damaged. If the plug is inserted or disconnected by holding the cord, the plug or cord may be damaged resulting in fire or electric shock.
5. Keep the cord away from heated surfaces.

continued on page 4

6. Never block the air openings of the product. If lint or hair, etc. is stuck in the air openings, remove it immediately.
7. Never use while sleeping or feeling drowsy.
8. Never drop or insert any object into any opening or hose.
9. Connect this product to a properly grounded outlet only. See Grounding Instructions.
10. This product should only be connected to a potable water supply line. Failure to do so will cause problems in the operation.
11. Do not pull out or insert the power plug with wet hands.
12. Disconnect the power plug periodically and clean it with a dry cloth. Dust accumulated on the power plug may cause fire.
13. Do not use outdoors or operate where aerosol (spray) products are being used or where oxygen is being administered.

To reduce the risk of minor injury or property damage:

1. This product should only be connected to a 120 V AC, 60 Hz GFCI-protected outlet.
2. For care of the plastic parts, our company recommends the use of a mild liquid or an all-purpose cleaner. Avoid using abrasive products (such as powdered cleansers) and chlorine-based products (such as bleach), as these products can damage the anti-bacterial properties of the plastic components.
3. If the toilet seat or the body cover is damaged, pull the power plug out of the outlet.
4. Do not stand on the toilet seat lid, as it may break.
5. Do not lean back against the lid during use, as this may damage or break the lid.
6. Install this product according to this installation manual. Improper installation may result in electrocution, fire, or a water leak.
7. Do not forcefully pull on the bidet nozzle or turn it as this may cause it to fail.
8. Do not apply unnecessary force to the water supply hose as it could result in damage and cause water to leak
9. To prevent the toilet seat and toilet seat lid from slamming down, a slow close seat mechanism is provided to lower them gradually. If the toilet seat or toilet seat lid is closed abruptly or too forcefully, this product could be damaged or fail.

SAVE THESE INSTRUCTIONS

2. Product Description

This product incorporates a set of features to improve personal toilet hygiene and comfort. These features include back cleansing, front cleansing and a seat heater as well as the required controls for these features.

This product includes a seat unit (with heated toilet seat, toilet seat lid, and power cord), hardware for installing the seat unit on a toilet and connecting it to the water supply and this installation and user manual.

This product incorporates the following features:

- back cleansing with water flow strength controls
- front cleansing with water flow strength controls
- seat heater with heat level control
- back and front cleansing water temperature control
- seat and water temperature indicators
- back and front nozzle self-cleaning
- stop button for back cleansing, front cleansing

Note:

- When transporting the product, take care not to inadvertently bump or drop it.
- This product has been already inspected using tap water. A small amount of water may be detected when installing the unit; this should not be a cause for concern.

3. Installing This Product

Installation Requirements

Before installing this product, ensure that each of the following installation requirements are met.

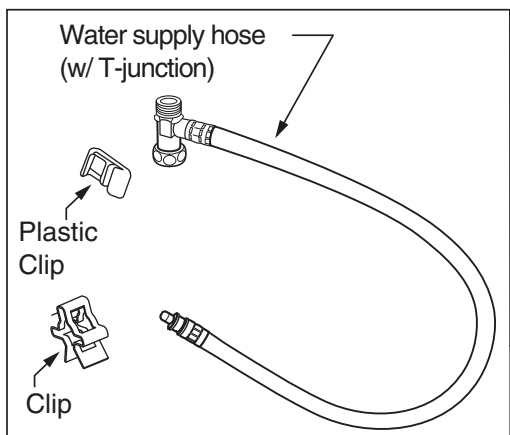
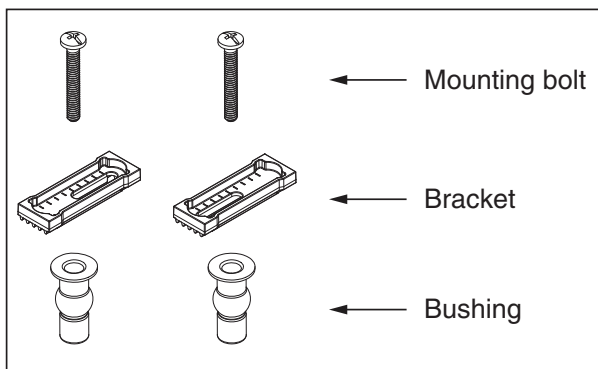
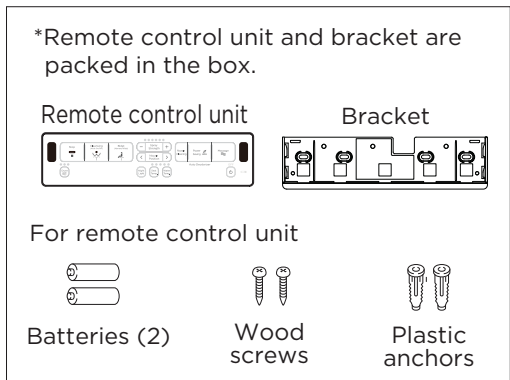
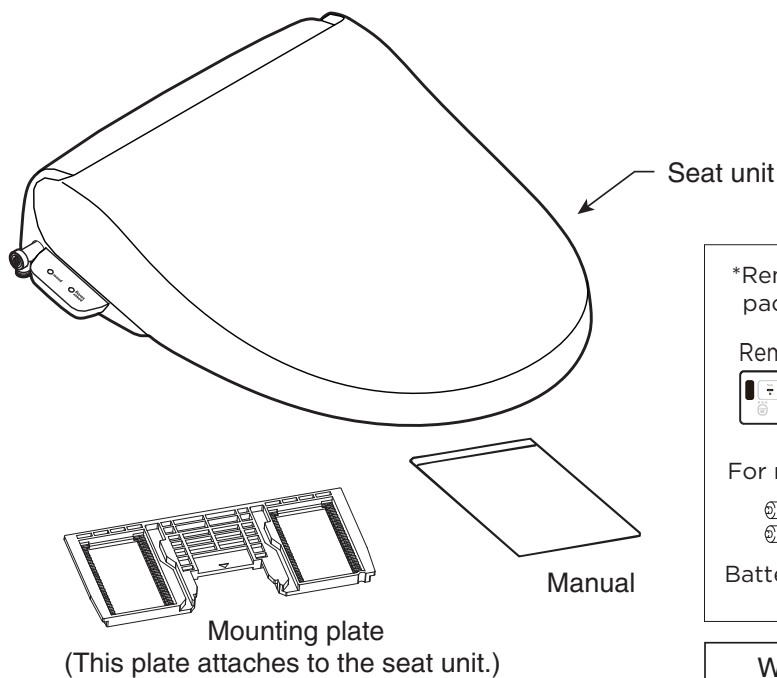
Contents

Remove the parts from the box and make sure all the parts in the parts list (below) are present. Inspect the parts carefully to make sure they are in good condition.

If any part is damaged or missing, do not install this product. Contact a customer service representative for the part(s) you need.

The following parts are included:

- Seat unit (with heated toilet seat, toilet seat lid and power cord)
- Mounting plate
- Manual
- Mounting bolts, brackets, and bushings (2 pieces each)
- Seat unit water supply hose (with 1 clip and 1 washer)
- Remote control
- Bracket
- Batteries
- Wood screw
- Plastic anchors



GROUNDING INSTRUCTIONS

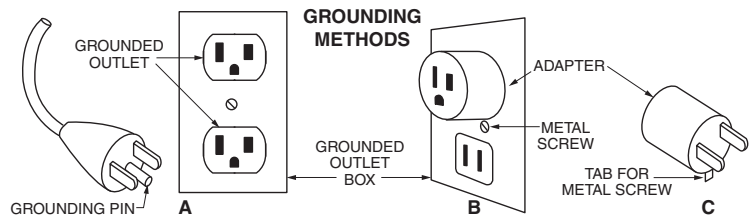
This product should be grounded. In the event of an electrical short circuit, grounding reduces the risk of electric shock by providing an escape wire for the electric current. This product is equipped with a cord having a grounding wire with a grounding plug. The plug must be plugged into an outlet that is properly installed and grounded.

DANGER– Improper use of the grounding plug can result in a risk of electric shock.

If repair or replacement of the cord or plug is necessary, do not connect the grounding wire to either flat blade terminal. The wire with insulation having an outer surface that is green with or without yellow stripes is the grounding wire.

Check with a qualified electrician or serviceman if the grounding instructions are not completely understood, or if in doubt as to whether the product is properly grounded.

This product is for use on a nominal 120 V circuit, and has a grounding plug that looks like the plug illustrated in sketch A. A temporary adapter, which looks like the adapter illustrated in sketches B and C, may be used to connect this plug to a 2-pole receptacle as shown in sketch B if a properly grounded outlet is not available. The temporary adapter should be used only until a properly grounded outlet (sketch A) can be installed by a qualified electrician. The green colored rigid ear, lug, and the like extending from the adapter must be connected to a permanent ground such as a properly grounded outlet box cover. Whenever the adapter is used, it must be held in place by the screw.



Installation Location

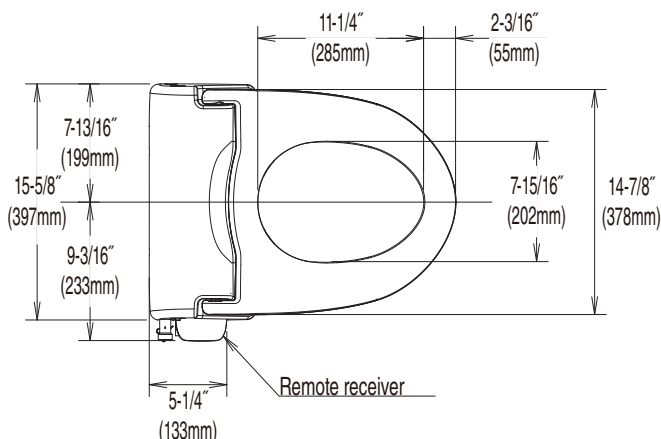
In order to prevent damage to the electronic components, install this product at a location that minimizes the possibility of it getting wet. In extremely humid conditions, provide adequate ventilation by operating an exhaust fan or opening a window or door.

Water Supply

Use only the tap water line to supply water to this product. The use of any other type of water i.e. ground water or well water may reduce functionality of product. The tap water pressure must be 8.5 to 106.7 psi (0.06 to 0.74 MPa, 0.6 to 7.5 kgf/cm²).

Checking the Bathroom

The dimensions required for mounting this product on a toilet are shown in the figure below. Check to make sure there is sufficient space inside the bathroom and that there are no obstructions.

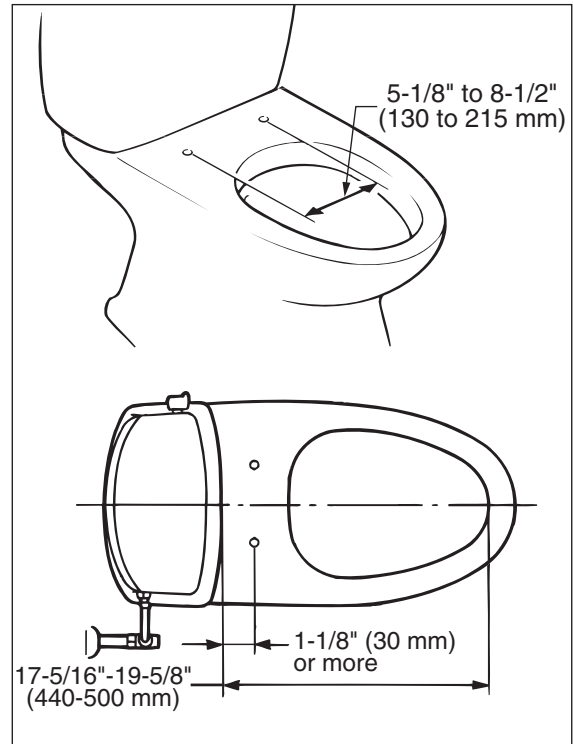


Conditions for using Water Supply Hose

1. Measure the size of the toilet.

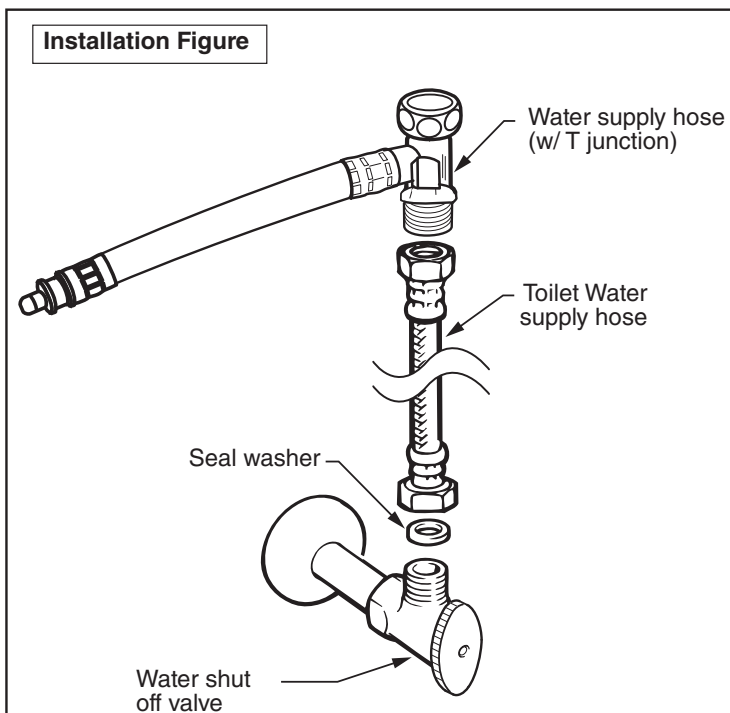
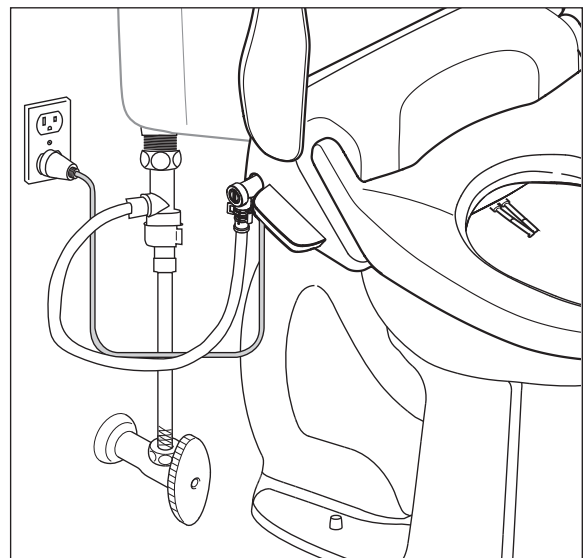
Depending on the size of the toilet, it may not be possible to mount this product on it.

Make sure the toilet's dimensions are as shown in the figure on the right.



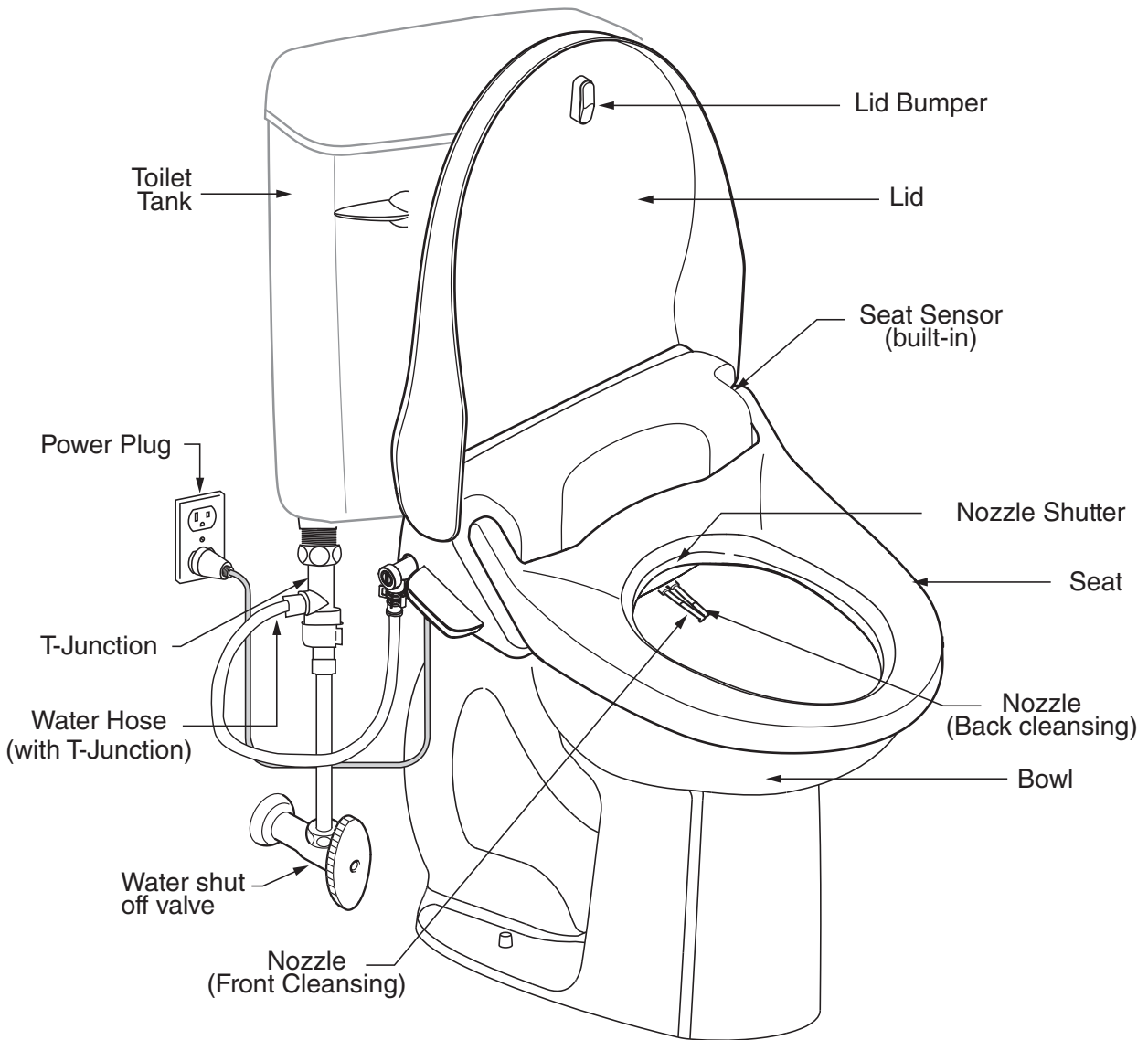
2. Conditions for using water supply hose (included)

The length of the water supply hose included with this product is 37-3/8" (950 mm), but a length of 31-1/2" (800 mm) from the junction fitting to the seat unit's water supply socket is appropriate. (Refer to the figure on the right)

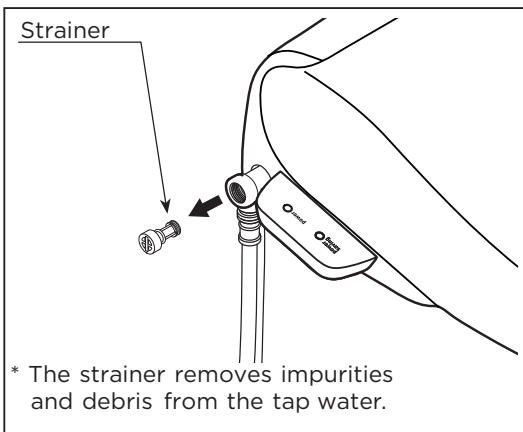


Illustrated Parts Breakdown

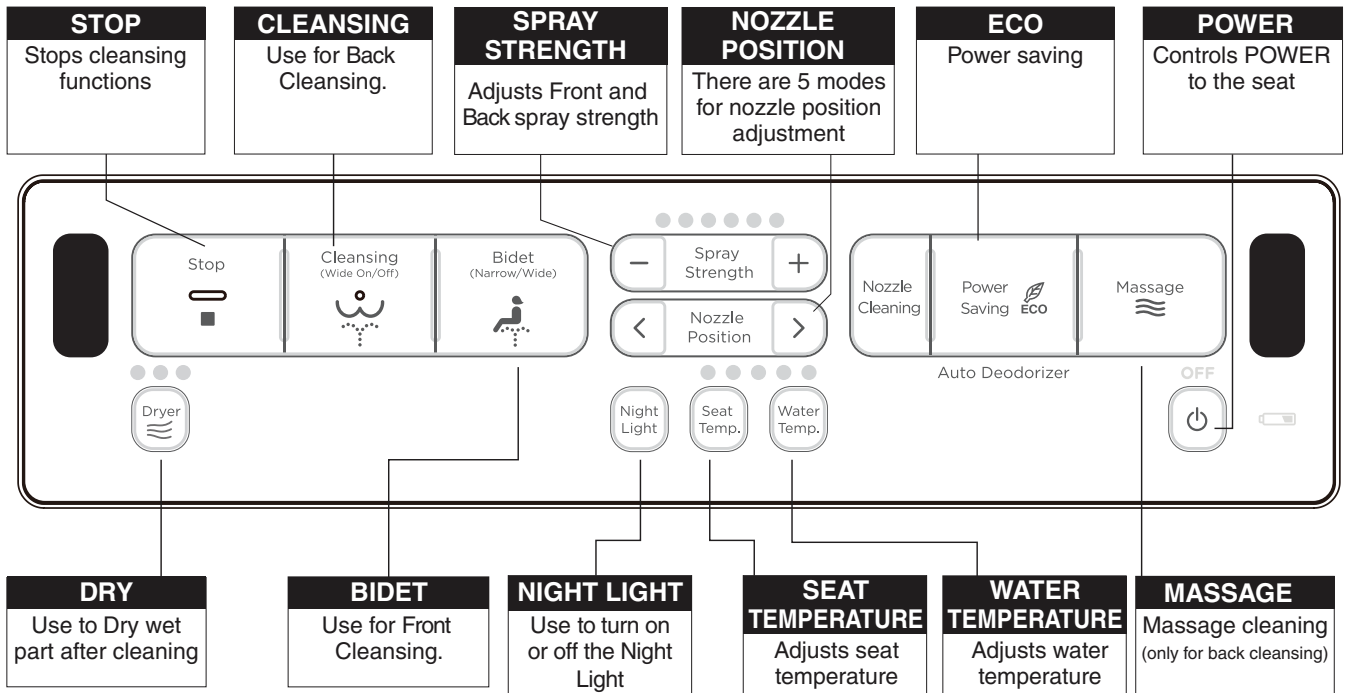
Overview



Strainer



Remote



1. Required tools

Have the following tools for installing this product: adjustable end wrench, Phillips head screwdriver, flat-blade screwdriver.

2. Install the junction fitting

- 1) Close the water shutoff valve fully.
- 2) Flush the toilet and empty all the water from the tank.
- 3) Place a wash bowl or other container underneath the tank water supply hose. Then loosen the box nut on the tank inlet side and remove it.

CAUTION

- Be careful not to damage the water supply hose.

- 4) Place the packing in the junction fitting box nut and connect the tank inlet to the junction fitting.

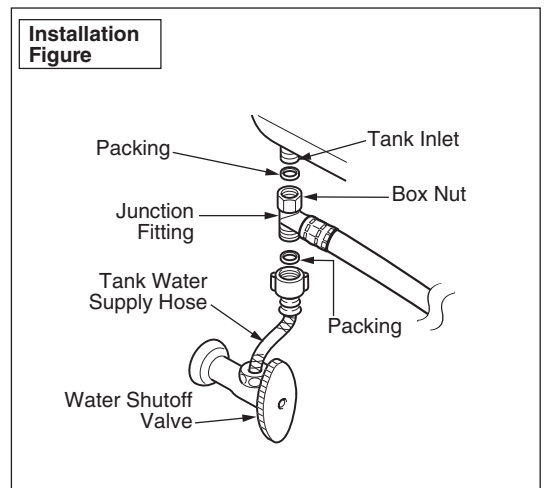
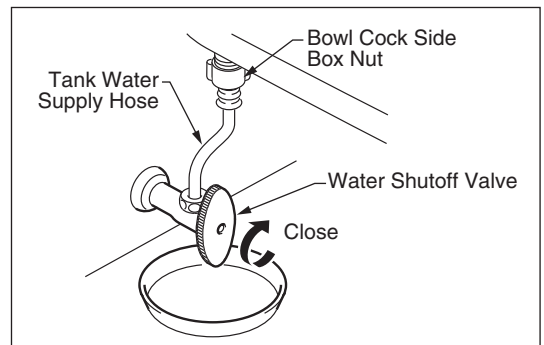
CAUTION

- Do not overtighten the nut.

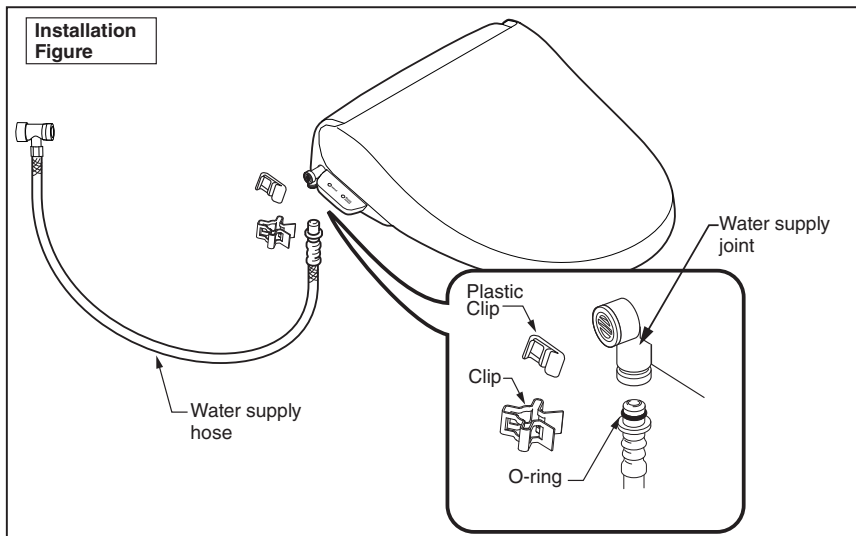
- 5) Insert the packing in the tank water supply hose box nut and connect the tank water supply hose to the junction fitting.

CAUTION

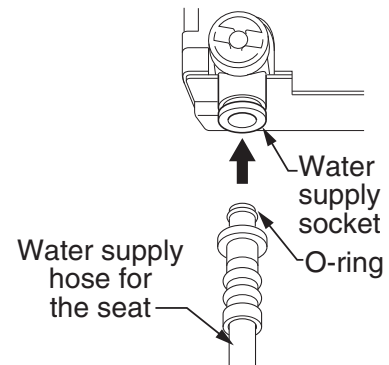
- Do not overtighten the nut.



3. Installation of water supply hose to the SpaLet® seat

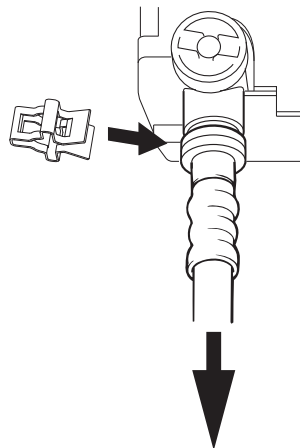


1) Connect the water supply hose for the SpaLet® seat to the water supply connection socket.



2) Insert the attachment clip onto the water supply hose to attach it to the SpaLet® seat and water supply connection socket.

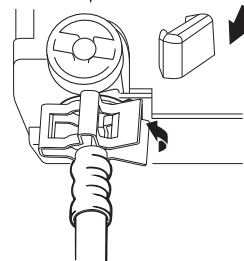
*The attachment clip can be attached in any direction.



CAUTION

- Be careful not to damage the O-ring.
- *A damaged O-ring may cause water to leak.

3) Bend the clip end and firmly clip together both the feeding hose for the SpaLet® seat and the feeding socket. After you install the clip, twist it in both directions to verify that it is firmly attached, then attach the final attachment clip over the primary clip to secure in place.



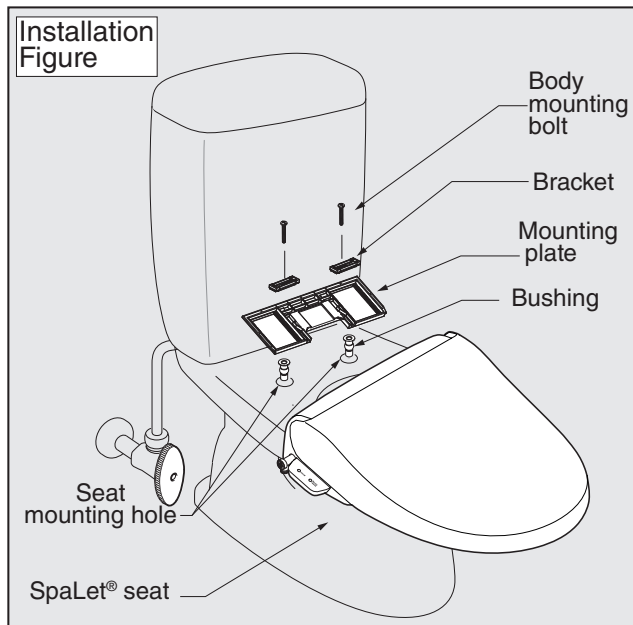
CAUTION

- Firmly insert the clip.
- *If the clip is not firmly inserted, it may cause water leaks.

4) Insert the clip until you feel the clip edge click.

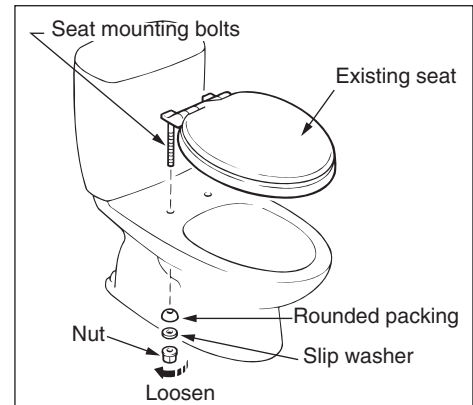
*If not firmly inserted, it may cause water leaks

4. Installation of the SpaLet® seat



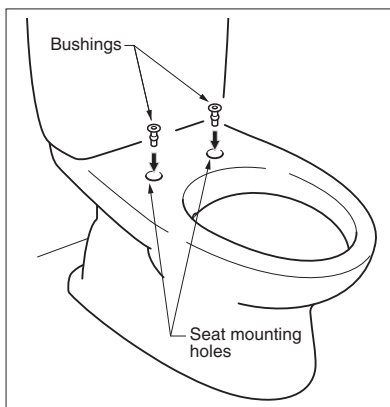
(1) Remove the existing seat.

- 1) Remove the nuts from the seat mounting bolts, the slip washers, and rounded packing.
- 2) Raise the seat and remove it by lifting the seat mounting bolts.

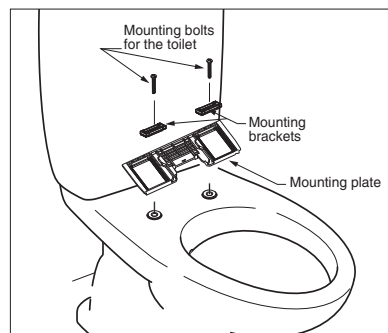


(2) Install the mounting plate onto the toilet.

- 1) Insert the bushings into the seat mounting holes.



- 2) Insert the mounting bracket into the mounting plate and use the mounting bolts to attach the mounting plate to the seat.

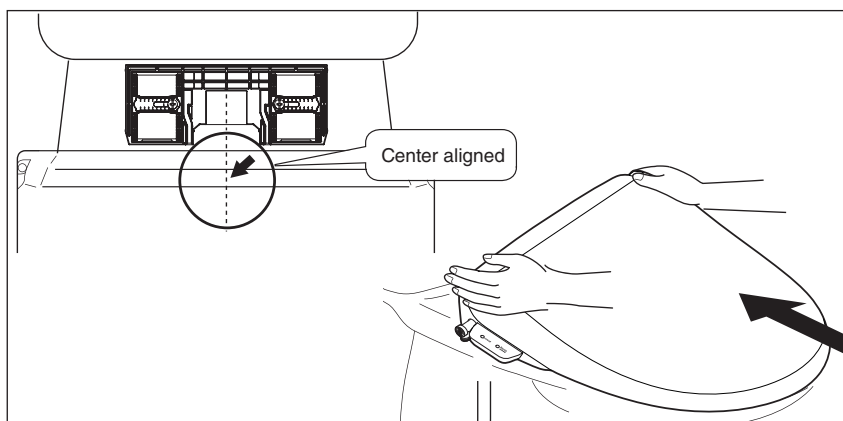


References

- Some toilet seats may require different methods of removal that differ from our explanation.

(3) Install the SpaLet® seat.

- 1) Place the SpaLet® seat on the toilet and align the seat to the mounting plate.
- 2) Slightly raise the front side of the SpaLet® seat, slide it until the mounting plate is fully inserted, and then press the locking lever to secure the SpaLet® seat.

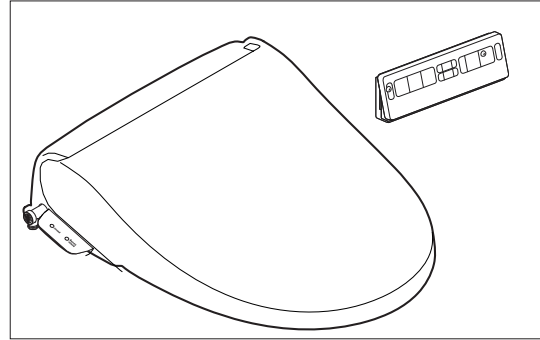


5. Install the remote control unit

- (1) Open the back cover of the remote control unit and insert the 2 size AA batteries.

CAUTION

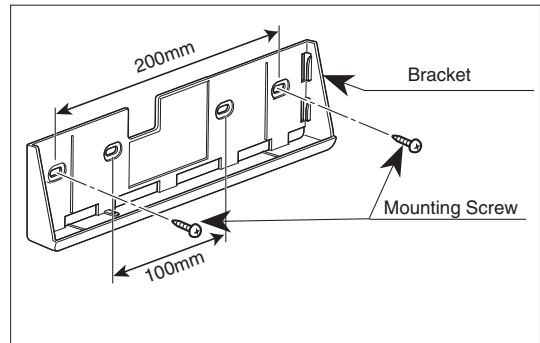
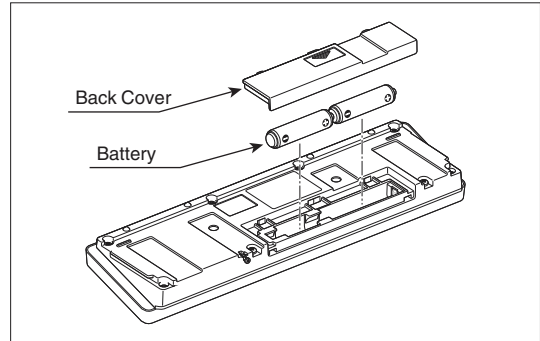
- Insert each battery so its positive pole touches a positive connector in the battery compartment and its negative pole touches a negative connector.



- (2) Position the bracket on the wall in the location you chose for the remote control unit. Mark the location of the mounting holes on the wall. Fasten the bracket to the wall, drilling holes and using the fasteners appropriate for the wall material, as described below.

CAUTION

- Leave enough space above the top of the remote control unit to allow the unit to be removed and replaced.

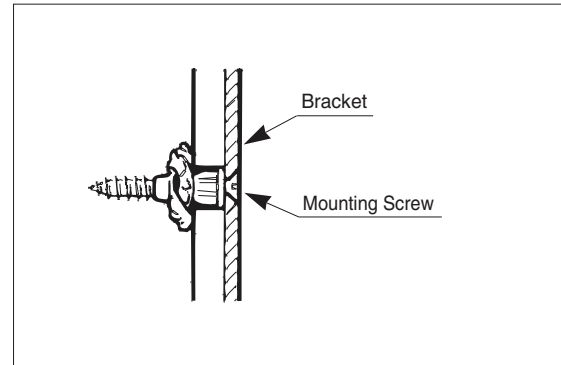
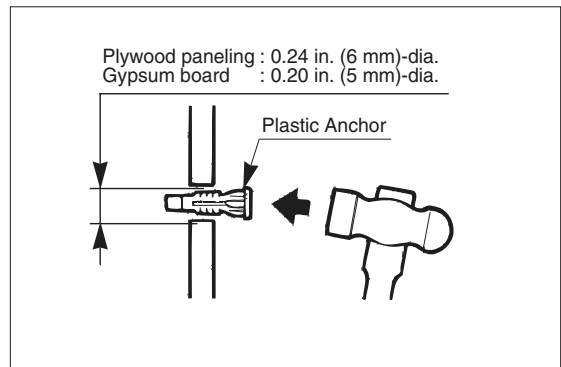


If mounted in plywood paneling 0.20 in. (5 mm) or greater in thickness:

Fasten the bracket to the wall with the mounting screws.

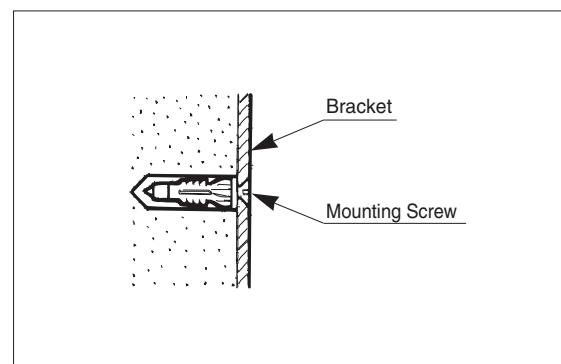
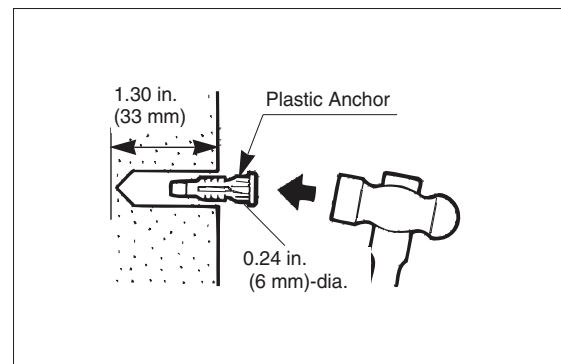
If mounted either in plywood paneling 0.20 in. (5 mm) or less in thickness or in gypsum board:

- 1) In plywood paneling, drill holes with a diameter of 0.24 in. (6 mm); in gypsum board, drill holes with a diameter of 0.20 in. (5 mm):
- 2) Using a hammer, gently drive the plastic anchors into the holes.
- 3) Fasten the bracket securely to the anchors using mounting screws. As you tighten the screws, they are hard to turn at first, then gradually get easier to turn, and then are hard to turn again.

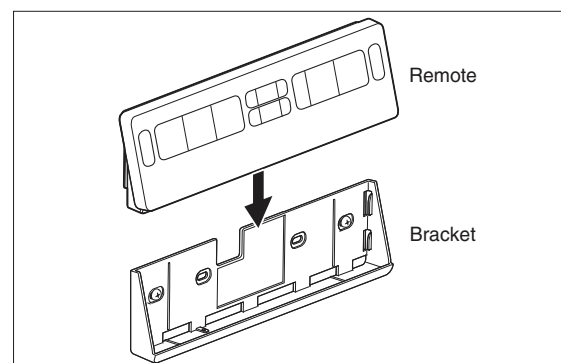


If mounted in concrete:

- 1) Drill holes with a diameter of 0.24 in. (6 mm) and a depth of approximately 1.30 in. (33 mm).
- 2) Using a hammer, gently drive the plastic anchors into the holes.
- 3) Fasten the bracket securely to the anchors using mounting screws.



- (3) Align the remote control unit with the bracket and then push it down onto the bracket.

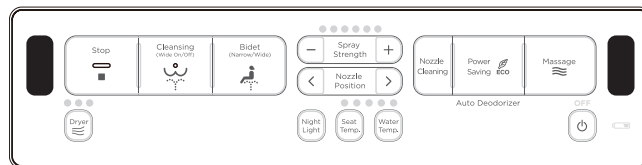
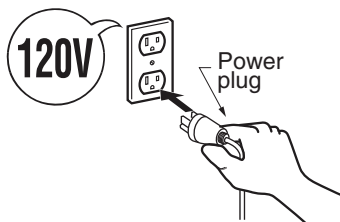


Operational Check

Follow the procedure below after the installation work has been completed.

1. Insert the power plug into the outlet.

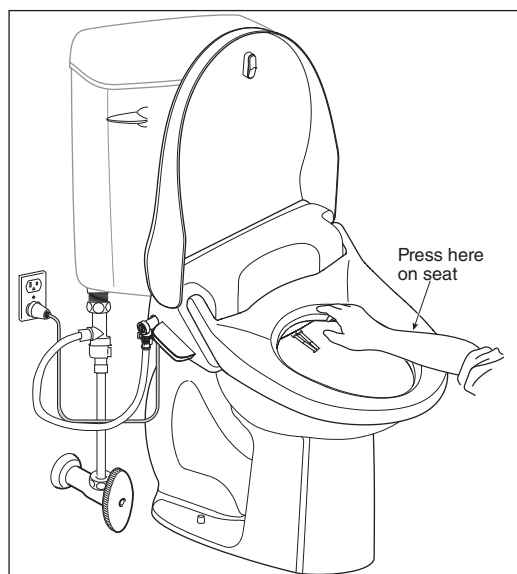
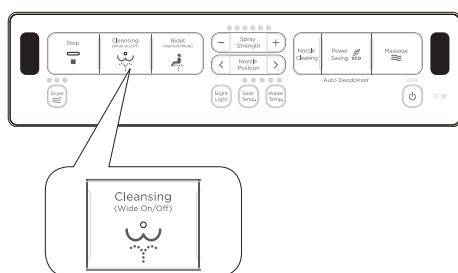
Confirm that the LED on the seat unit is lit.



2. Check the Back and Front nozzle spray.

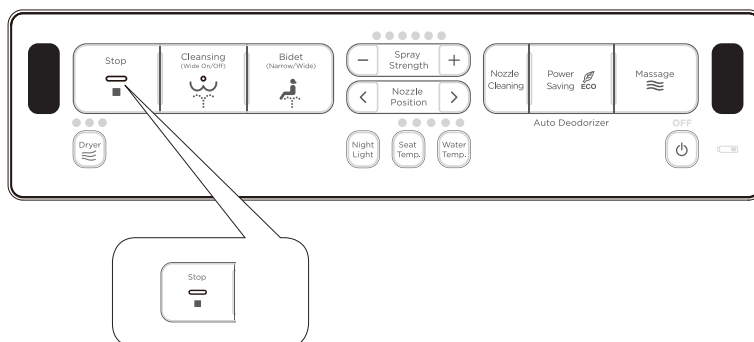
(1) Check the cleansing operation.

- 1) With your forearm resting on the toilet seat, press the cleansing button.
The nozzle spray automatically stops two minutes after the switch is turned on.



- 2) When the nozzle extends, cover the tip of the nozzle with your hand to catch the spray.
- 3) Press the STOP button to stop the nozzle spray.

(2) Perform the same check using the front nozzle spray function.



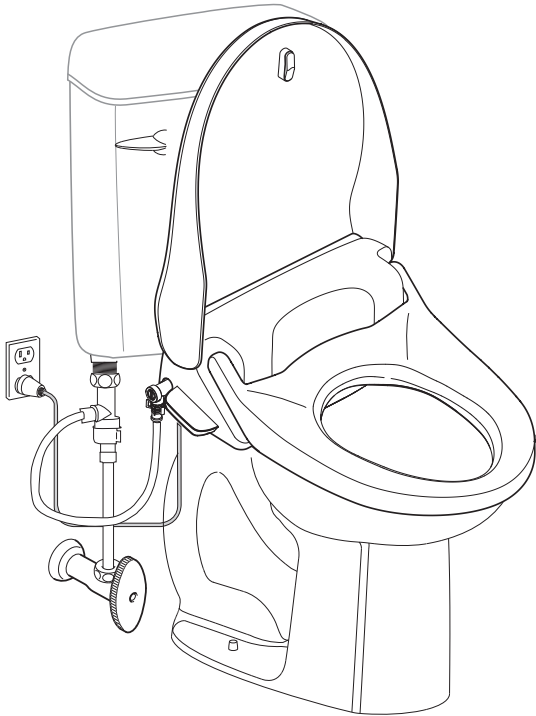
OPERATIONAL MANUAL

TABLE OF CONTENTS

Additional Important Information.....	18
Product Functions.....	19
Remote Control.....	19
Preparations Before Use.....	20
How to Use the Basic Functions.....	21
Warm air dryer.....	23
How to Use the Convenient Functions.....	24
Other convenient functions.....	25
If freezing weather or long term absence is anticipated, drain the water.....	26
Maintaining This Product.....	28
Cleaning the Seat Unit.....	28
Cleaning the Nozzles.....	28
Cleaning & Maintenance of the Deodorizing Filter.....	29
Cleaning the Inlet Strainer.....	30
Cleaning Areas Covered by the Toilet Seat Lid & Unit.....	31
Change Batteries for the Remote Control.....	32
Troubleshooting.....	33
Specifications.....	35
Warranty information & After-sales Support.....	36

Additional Important Information

This product is equipped with a seat sensor that prevents the water from spraying if nobody is sitting on the toilet seat. This prevents activation if the SpaLet® seat button is pressed when the toilet seat is unoccupied.



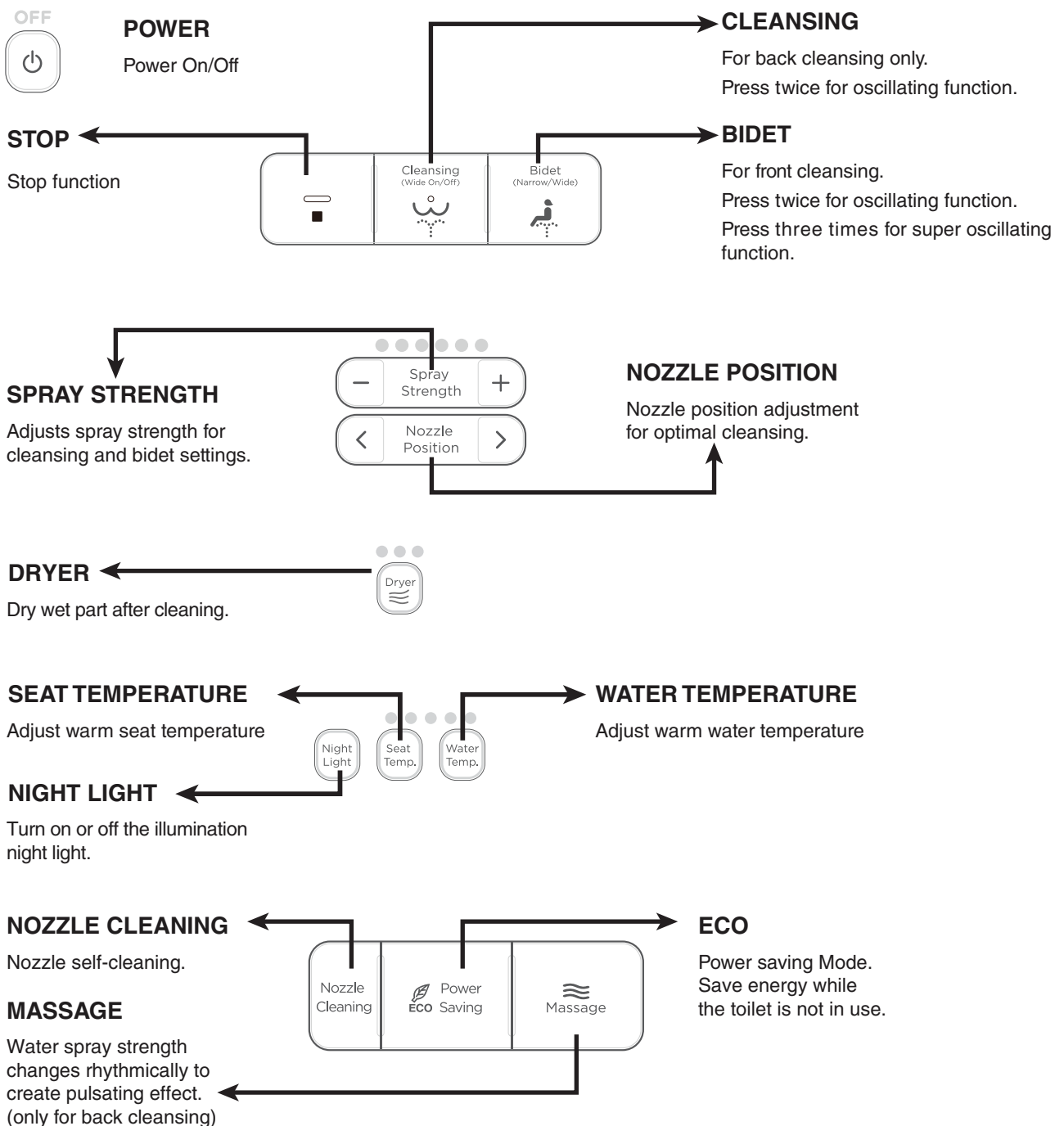
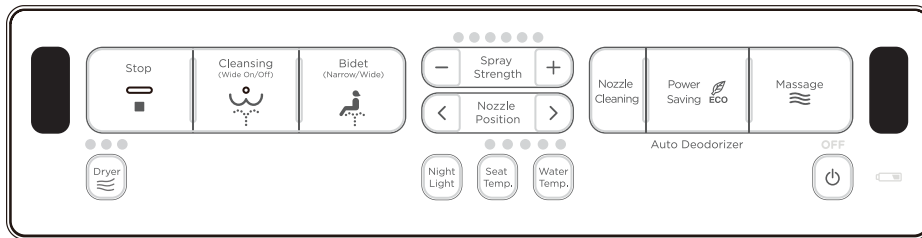
Before and after cleansing and when the water temperature adjustment button is pressed, etc., water is sprayed from the nozzle. This occurs by design and is not a cause for concern.

If water sprays while under any other configuration, or sprays constantly, close the water shutoff valve and remove the power plug from the wall outlet. Then, contact customer service.

When the toilet is new, a slight odor may come from the deodorizer. This will go away in a short time.

Product Functions

Remote



FOR DETAILED FUNCTIONS SEE OPERATION SECTION

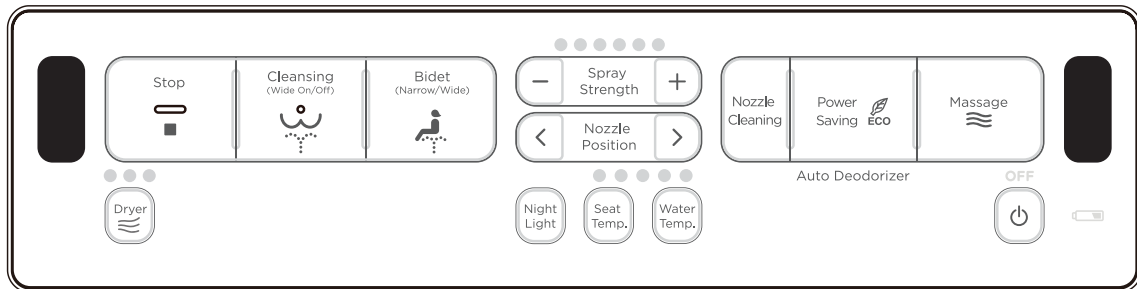
Preparations Before Use

Performing the following operations before using the product allows you to use the SpaLet® comfortably.

STOP (Turning the power on/off)

Press the STOP button to turn the power ON or OFF.

- * If the power is ON, the power LED on the indicator panel will light up.
- * When connecting the power cord to the outlet for the first time, the main power will automatically be on.



Seat Temp.

Adjust the temperature of the toilet seat using the Seat Temp. switch.

The seat temperature can be set to one of 5 settings. Set it to your preferred temperature.

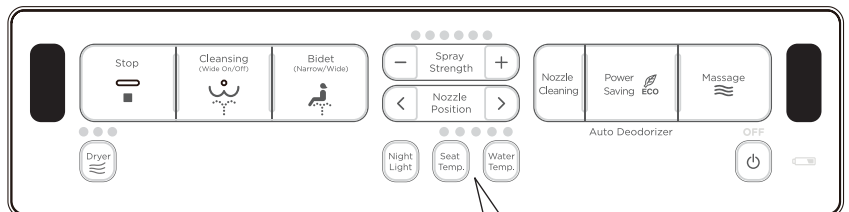
- * The indicator LED cycles through the temperature settings each time the temperature button is pressed.
- * The indicator LED goes out after several seconds.

Water Temp.

Adjust the temperature of the spray using the Water Temp. switch.

The water temperature can be set to one of 5 settings. Set it to your preferred temperature.

- * The indicator LED cycles through the temperature settings each time the temperature button is pressed.
- * The indicator LED stays on to indicate water temperature level.



Reference

- The toilet seat will not become warm instantly. To achieve a comfortable seat temperature, set the seat to the desired temperature about 10 to 15 minutes prior to use.
- This product is equipped with an ECO function that automatically switches the seat heater off when it is not occupied.
- The default setting for the seat temperature is "MID". The seat temperature can be increased or decreased incrementally.

How to Use the Basic Functions

Cleansing

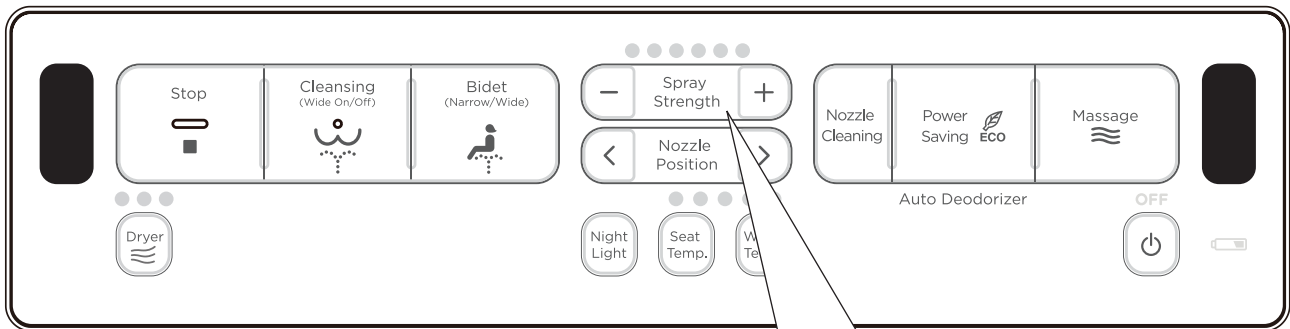
Water is sprayed from the back cleansing nozzle.

1 Press the Cleansing button.

Bidet

Water is sprayed from the front cleansing nozzle.

1 Press the Bidet button.



2 Press the [+] or [-] Spray Strength button to adjust the nozzle spray.

There are 6 levels of spray strength.
Adjust the spray strength as desired.

- * The indicator LED cycles through the spray strength settings each time the button is pressed.
 - * The indicator LED goes out after several seconds
- 2 additional settings above default: press STOP and CLEANSING buttons simultaneously for 2 seconds.

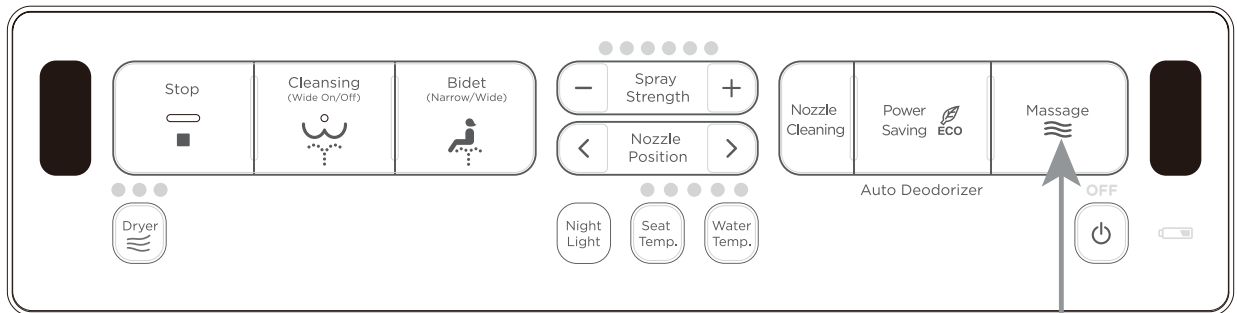


3 Press the STOP button to stop the spraying.

- * An automatic self-stop function is included which stops both back and front cleansing automatically after 2 minutes.

Massage Cleansing

Water pressure alternates between high and low during back cleansing, providing a pulsating effect.



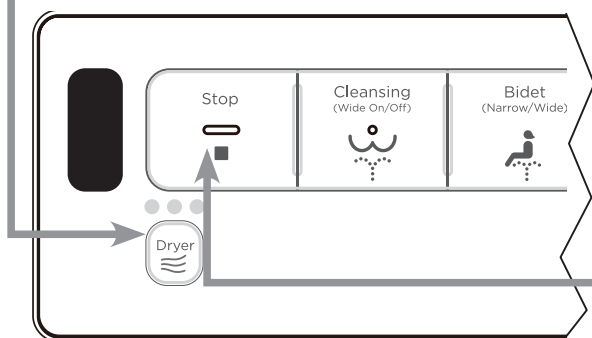
1 Press the **Message** button during back cleansing.

2 To stop the massage spray, press the **“Message”** button again.

Warm air dryer

1. Press "Dryer" button.

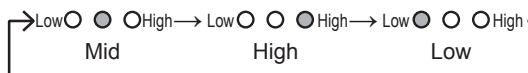
Warm air is blown out to dry the wet parts due to cleansing.



2. Press "Dryer" button again to switch dry temperature.

The indicator will be switched each time the button is pressed, achieving appropriate temperature.

* Each time the button is pressed, the indicator will be switched between "Low", "Mid", and "High".



3. Press "Stop" button to stop.

* Warm air dryer automatically stops after 4 minutes.

Deodorizing

1 Deodorizing starts when a person sits on the SpaLet® seat.

* This product is equipped with a deodorizer cartridge which absorbs odors from the toilet.

2 Deodorizing automatically stops after you stand up.

Stops after 5 seconds

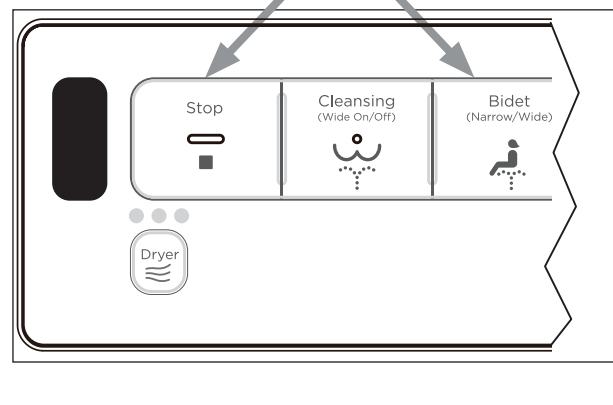
To disable the deodorizer

Press the "Stop" and "Bidet" buttons simultaneously for 2 seconds.

* When the deodorizer feature is disabled, the power LED on the seat unit flashes momentarily. At this point, the deodorizer will no longer activate when a user is detected.

* To restore the deodorizer function, press the STOP and Bidet buttons simultaneously for 2 seconds.

Press the buttons simultaneously for 2 seconds.



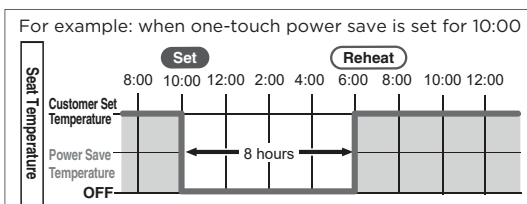
How to Use the Convenient Functions

ECO button

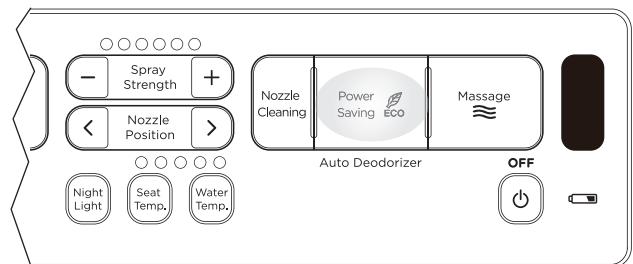
One-Touch Power Save: Reduces power consumption by turning off the water and seat heater for 8 hours. The power settings are automatically restored after 8 hours.

One-touch power save (8 hours)

- 1 Press the “ECO” button.**
The power save ECO LED lights up on the SpaLet® seat next to the power LED.

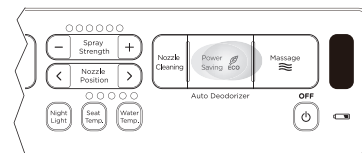


* The ECO LED lights up on the SpaLet® seat.



- * Once 8 hours have passed, the power settings will automatically return to their original state. The power save LED will switch from flashing to off.
- * The one-touch power save is not automatically repeated everyday, but can be set any number of times in a day.

- 2 To cancel the ECO mode function, press the “ECO” button again.**
(The ECO power save LED will go out.)



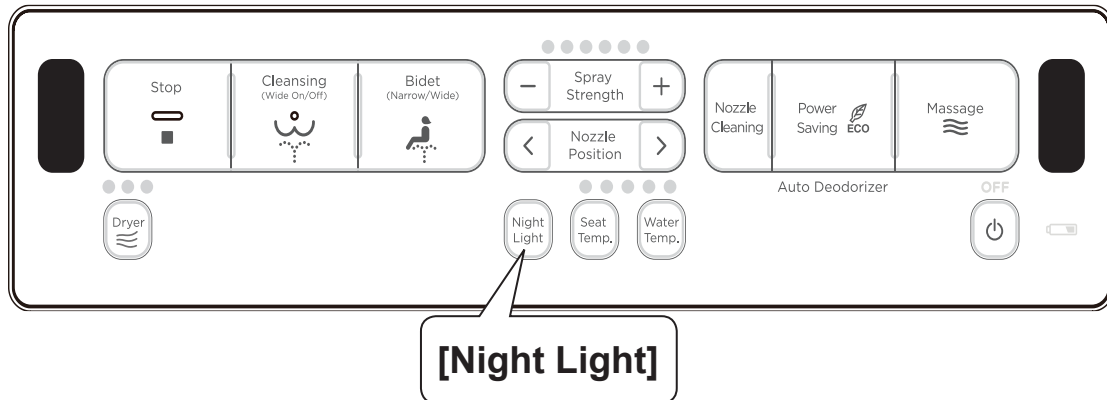
- * You can use the SpaLet® seat even when the ECO save function is operating. However, you may feel that the water is cold as the heater for water and the toilet seat is turned off. If desired, you may turn off the ECO save function.
- * Even when the ECO save function is not operating, leaving the toilet lid closed is an effective way to conserve energy.

Other convenient functions

■ Night light

SpaLet® seat is equipped with night light, which can be enabled when necessary.

1. To turn on night light, press [Night Light] button on the remote Control.
2. To turn off night light, press [Night Light] button on the remote Control.



■ Remote Control signal settings when multiple units are installed side by side

When installed side by side, other SpaLet® seat may receive signal from remote control of this product and take that action. In this case, please change the signal used by the remote control.

1. Change transmission signal of remote control
 - (1) Remove batteries of remote control
 - (2) According to signal table in the following figure, press corresponding button while installing batteries, and hold for 6 seconds. (Signal 6, signal 7 may be 20 seconds.)
 - (3) When transmission signal changes, battery indicator of remote control will flash accordingly. (Flashing times of battery indicator vary with the corresponding signal change.)

Signal number	Operation switch	Flashing times of battery indicator
Signal 1	Water Temp	1 time
Signal 2	Seat Temp	2 times
Signal 3	Power Saving	3 times
Signal 0	Nozzle Cleaning	4 times
Signal 4	Spray Strength +	5 times
Signal 5	Spray Strength -	6 times
Signal 6	Cleansing	7 times
Signal 7	Bidet	8 times

Factory setting is [Signal 0]

2. SpaLet® seat receiving signal change

- (1) Temporarily unplug the power plug of the SpaLet® seat that needs to change signal
- (2) Then, insert the power plug, and press Stop button continuously for more than 10 times within 10 seconds.

If freezing weather or long term absence is anticipated, drain the water.

■ If freezing in winter

The water in the SpaLet® seat may freeze and cause damage during winter or other times when the water temperature is significantly low.

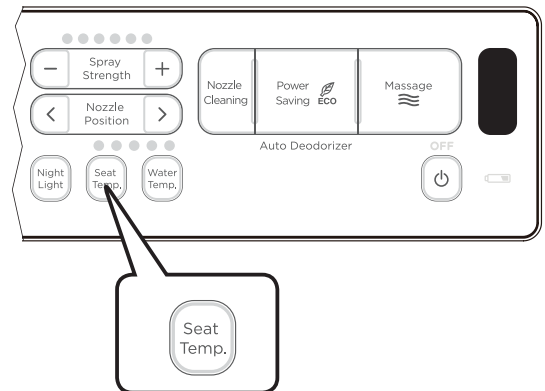
Perform the following procedure to prevent freezing and related damage.

Do not disconnect the power plug from the outlet. Leave the power turned on. Turn off any active power save function.

If the bathroom can be heated:	Refer to the "General Freezing Prevention Procedure" section.
If the bathroom cannot be heated:	Refer to the "Draining the Water to Prevent Freezing" section.

General Freezing Prevention Procedure

1. Set the [Seat Temp.] to "High" and close the toilet lid.
2. Turn off any active ECO function.
3. Heat the bathroom.



CAUTION

Make sure to follow one of the freezing prevention procedures whenever there is a possibility of freezing.

* Damage from freezing may cause fire or flooding.

■ Draining the Water to Prevent Freezing

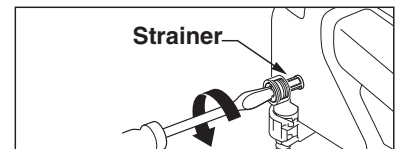
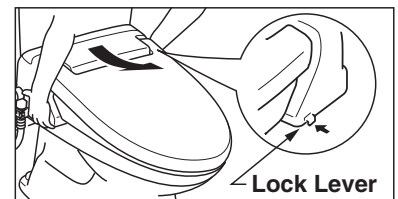
Use the following procedure to drain the water and disconnect the power if the following circumstances are applicable.

- The SpaLet® seat will not be used for an extended period of time due to travel. Long-term disuse may cause water to become contaminated. This contaminant could deposit on the toilet.
- The SpaLet® seat will not be used for an extended period of time due to being in a vacation home. As temperatures drop in unoccupied houses during the course of seasons, water could freeze during times of cold temperatures.

(1) **Turn the water shutoff valve clockwise to shut off the water supply to the tank.**

(For draining in cold areas, operate the indoor drain plug.)

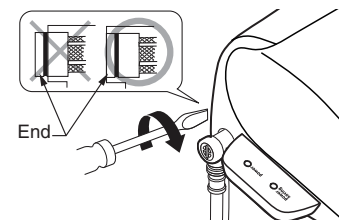
- (2) Press the flush lever on the tank to drain water from the tank.
- (3) Remove the power plug from the outlet.
- (4) Drain the water from the water supply side.
- (5) Push the lock lever on the right side of the seat unit and slide the seat unit forward to remove it from the toilet bowl.
- (6) Remove the strainer located on the left side of the seat unit. Place a wash bowl or similar item underneath the strainer.
- (7) Tilt the seat unit to the left to drain the water from the water supply hose through the strainer hole.
- (8) After the water has been drained, firmly attach the strainer.
- (9) Place the seat unit on the toilet bowl. Slide the seat unit backward to secure the seat unit.
- (10) Check for leaks from the water shutoff valve.



CAUTION

When removing the strainer, be sure to close the water shutoff valve. When attaching the strainer, firmly tighten it until the end of the strainer is hidden in the seat unit.

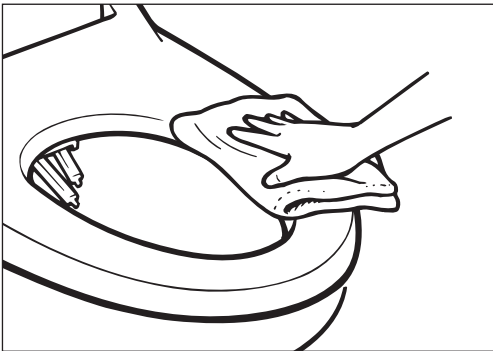
* Water can leak from the strainer.



Maintaining This Product

Cleaning the Seat Unit

Periodically, wipe off the seat unit with a soft cloth dampened with water.



Cleaning the Nozzles

a) SpaLet® seat must be powered ON to clean nozzle tip.

b) Raise the toilet lid and toilet seat

c) Under non-seated situation to clean nozzles manually, press "Nozzle Cleaning" button for over 2 seconds.

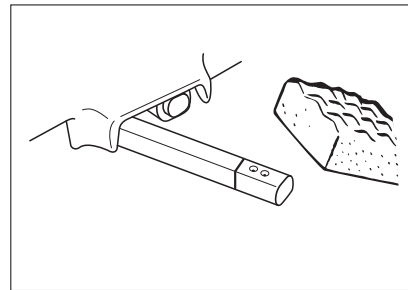
After water flows out from the nozzle area for approximately 10 seconds, the back cleansing nozzle extends, but the nozzle does not discharge any water.

d) Use a soft sponge to clean any accumulated debris.

e) Press "Cleansing" button again.

The front washing nozzle extends.

f) Use a soft sponge to clean any accumulated debris.



Changing Nozzle Tips

a) Ensure SpaLet® seat is powered ON.

b) Raise the toilet lid and toilet seat.

c) Under non-seated situation to clean nozzles manually, press "Nozzle Cleaning" button for over 2 seconds.

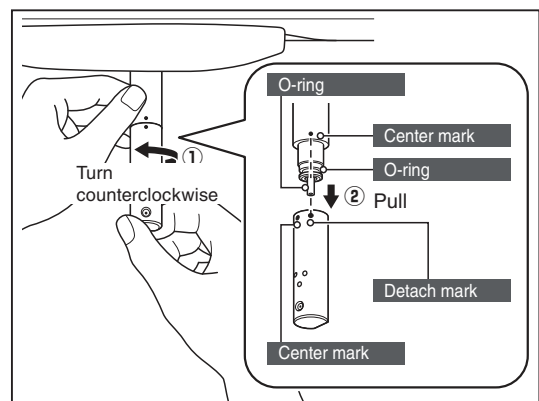
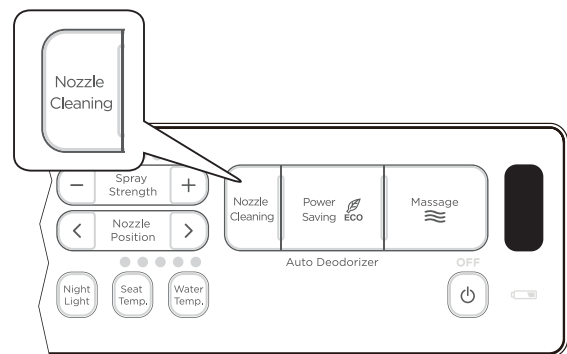
* After water flows out from the nozzle area for approximately 10 seconds, the back cleansing nozzle extends, but the nozzle does not discharge any water.

d) Turn the nozzle tip counterclockwise and align the Detach mark on the right side of the nozzle tip with the Center mark on the nozzle unit, and then **pull** out the nozzle tip.

* Pull the nozzle slightly, hold the nozzle at its base with your hand, and then remove the nozzle tip.

e) Align the Detach mark on the right side of the nozzle tip with the Center mark on the nozzle unit, and then **insert** the new nozzle tip fully and turn it clockwise until it can no longer be turned.

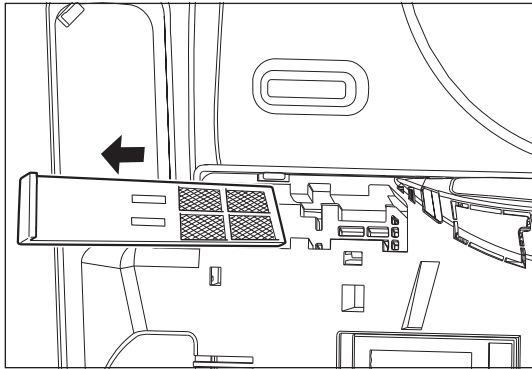
* Hold the nozzle at its base with your hand when installing the nozzle tip.



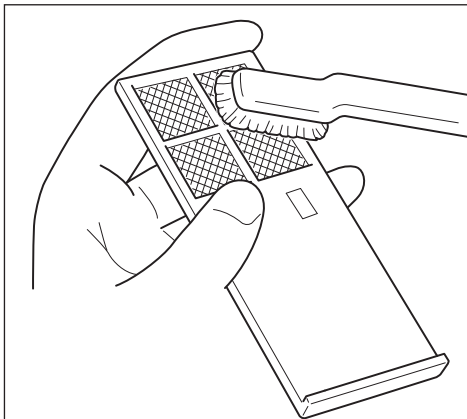
Cleaning & Maintenance of the Deodorizing Filter

Cleaning the Deodorizing Filter

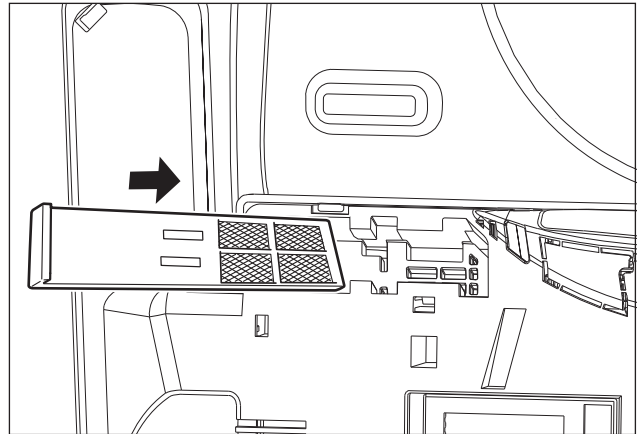
1. Disconnect the power plug from the outlet and shut off the water supply at the valve.
2. Remove the seat from the toilet.
3. Pull the filter from under the left hand side of the seat.



4. Remove the dirt from the filter using a toothbrush or other small brush.



5. Install the filter back into the base plate of the toilet seat.



6. Install the seat back onto the bowl.
7. Plug the seat back into the power outlet.

Cleaning the Inlet Strainer

If the water pressure weakens over time, clean the strainer using the following procedure.

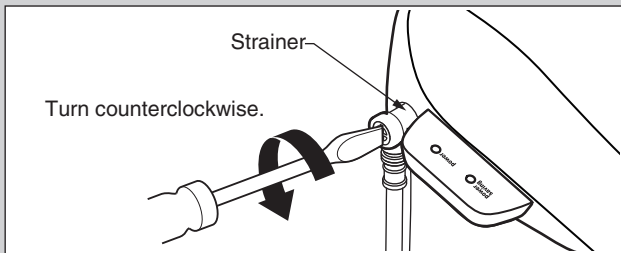
Cleaning the Inlet Strainer

1. Close the water shutoff valve to cut off the water supply.

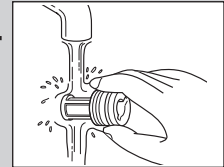
NOTE: Since the water shutoff valve is adjusted beforehand, keep track of the turns so that you can return to the original position.

2. Turn the strainer located on the bottom left of the seat unit using a screwdriver or similar tool and remove it.

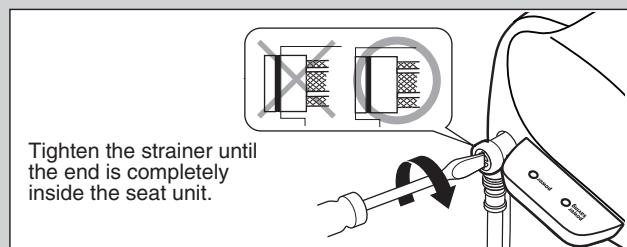
When the strainer is removed, a small amount of water will pour out. Place a wash bowl or similar container underneath to catch the water.



3. Remove the dirt adhering to the inside of the strainer by rinsing it with water.



4. Install the strainer, tightening it fully with a screwdriver or similar tool.



5. Open the water shutoff valve by turning the water shutoff valve back to its original position.

6. Finally, perform an operational check.

Cleaning Areas Covered by the Toilet Seat Lid & Unit

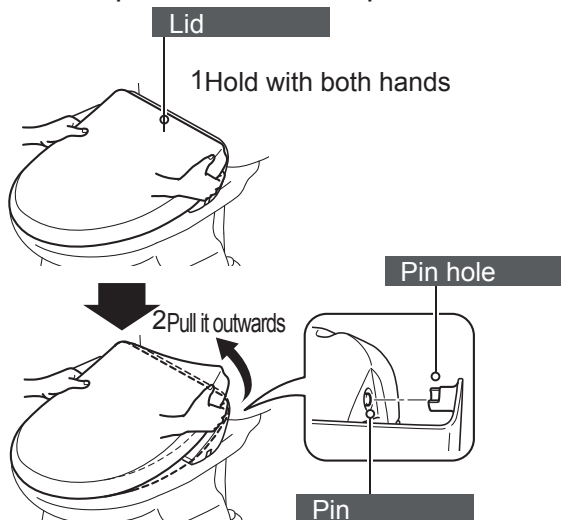
CAUTION

When cleaning this product, be sure to unplug the power plug from the wall outlet.

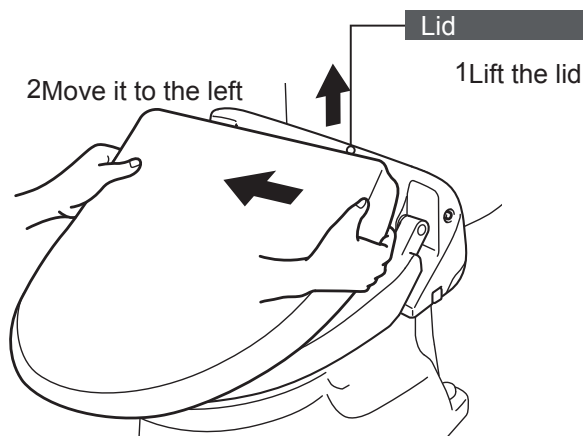
The lid can be easily removed, so that the lid and the blocked parts can be cleaned.

Remove lid

- 1** Hold the lid with both hands and pull the pin hole on the right of the lid outwards so as to separate it from the pin and tilt it up.



- 2** Lift the lid and move it to the left and then remove it.



[CAUTION]

- Do not apply too much force to the lid.
- * Risk of lid damage.
- Do not lift the lid when the lid is being removed.
- * Risk of scratches or damage to the lid.
- Do not use the product when the lid is removed.

Removing the seat unit

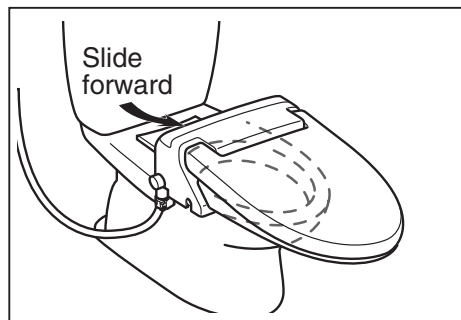
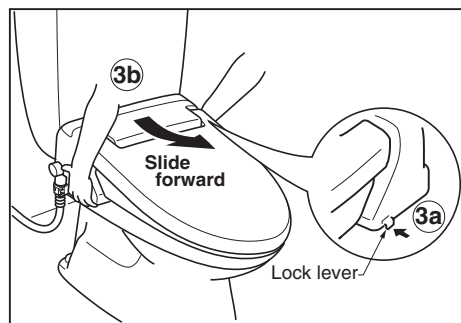
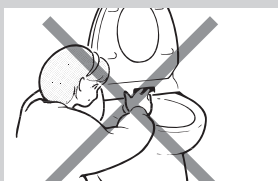
1. Remove the power plug from the wall outlet.
2. Close the water shutoff valve to cut off the water supply.
- 3a. Push the lock lever on the right side of the seat unit.
- 3b. Pull from base of seat, slide the seat forward by grasping at base, raise it slightly and remove from toilet.

* When removing this product, slide the unit slowly without holding the toilet seat or toilet seat lid. Do not use excessive force.

4. Carefully place the seat unit on the rim of the toilet bowl.
5. To reinstall seat, slide it back on mounting pad.

CAUTION

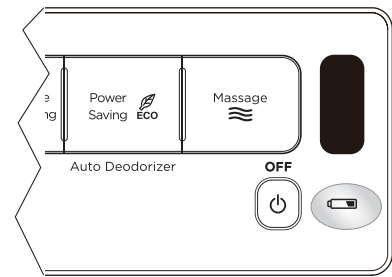
When cleaning the toilet bowl, take care not to splash the seat unit with detergent. Before installing the seat unit, wipe the detergent off from the toilet bowl using a cloth dampened with water.



Change Batteries for the Remote Control

When batteries are about to run out, the battery indicator LED display begins to flash.

- ※ The indicator only flashes when batteries are low.
- ※ The batteries included were used in testing of product and may not have the normal lifecycle.
- ※ The lighting in the room area may make it difficult to see the low battery LED flashing.



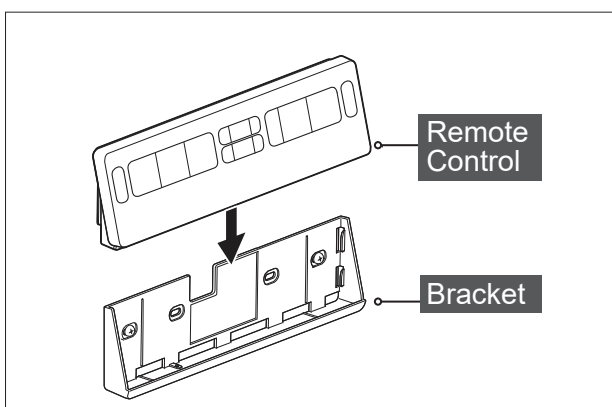
Change new batteries for the remote control; as follows.

Cautions

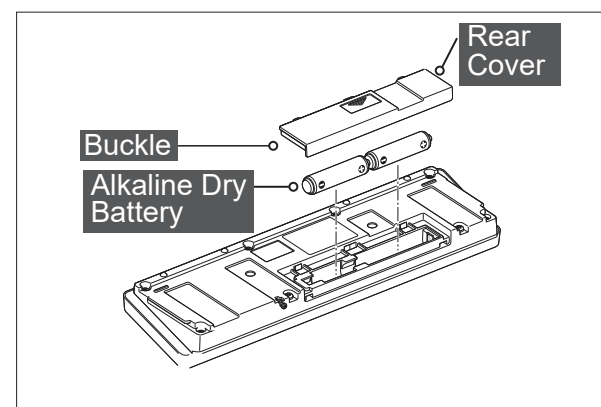
- The + and - of the battery shall comply with the marks on the remote control
- Do not mix the new battery with the used ones.
- Use alkaline batteries.
- Do not touch the switches or buttons on the remote control when changing batteries.

Change Batteries for the Remote Control

1. Pull the remote control up and take it out from the bracket.



2. Open the rear cover of the battery compartment and place 2-AA batteries



3. Place the cover back and the remote control into the bracket.

Troubleshooting

You can easily correct some of the problems with this product. Before requesting repairs, please check the following items.

If you are unable to correct the problem using the troubleshooting procedures shown below, please contact your local customer service representative.

All functions

Symptom	Cause	Remedy
The system will not operate at all.	Electricity is not being supplied to the power outlet.	Check for a power failure or tripped breaker, etc.
	The power switch is off. The LED on the indicator panel is off.	Press the STOP button for 2 seconds to verify the LED lights on the seat unit light up.
	The power plug is not plugged into the wall outlet.	Plug the power plug into the wall outlet.

Back cleansing and Front cleansing

Symptom	Cause	Remedy
Water does not spray out.	The water shutoff valve is closed.	Turn the water shutoff valve counterclockwise.
	The inlet strainer is clogged.	Clean the inlet strainer.
	The seat sensor is not engaged.	Sit back fully on the toilet seat.
Spray water is not warm.	Water temperature is not set to an appropriate temperature.	Adjust the water temperature to the appropriate level.
	ECO mode is activated.	Disable ECO mode.

Heated Toilet Seat

Symptom	Cause	Remedy
The toilet seat is not warm.	Seat temperature is not set to an appropriate level.	Adjust the seat temperature to the appropriate level.
	ECO mode is activated.	Disable power save.

Dryer

Symptom	Cause	Remedy
The dryer does not work.	The seat sensor does not detect a user.	Change your sitting posture; for example, sit further back on the seat.
	Seat sensor not being activated.	Adjust sitting position, posture etc.
The air is not warm.	The warm air temperature is set too low.	Press the Dryer button and adjust the temperature to the appropriate level.
Dryer function is interrupted during operation	The drying function has been used for 4 minutes.	Press the Dryer button again.

Deodorizer

Symptom	Cause	Remedy
The deodorizer fan runs continuously.	Certain seat covering cloth might cause the seat sensor to be operated permanently.	Remove the seat covering cloth.
The deodorizer fan does not operate.	The deodorizer function is turned off.	Turn on the automatic deodorizing function.
Turn on the automatic deodorizing function.	Dirt on the deodorizer cartridge may result in insufficient deodorizing effects. Clean the cartridge if odors are noticeable.	Clean the deodorizer cartridge.
	Has the deodorizer cartridge reached its operating life?	Replace the deodorizer cartridge.

Others

Symptom	Cause	Remedy
The seat unit becomes loose	The seat unit is not locked.	Push the seat unit until it locks in position.
The power indicator is flashing.	Water supply is not connected to the SpaLet seat due to a suspended water supply or closed water shut-off valve.	After restoring the water supply, open the water shut-off valve and test operation. If the power LED is still flashing, then disconnect the power plug and have the SpaLet seat serviced.
	Several functions are malfunctioning.	If the power LED flashes after the power has been turned off, this indicates that the SpaLet seat is damaged. Disconnect the power plug from the outlet and have the SpaLet seat serviced.
	An anti-freezing heater is attached to the water supply hose or other pipe.	Turn off the anti-freezing heater. When the water temperature exceeds 104°F, the safety system in this product stops operation.

WARNING: A damaged or overheated power plug or cord, or a loose or overheated wall outlet, could cause injury or damage the product. If this occurs, remove the power plug from the wall outlet, contact us, and discontinue using this product until the situation has been corrected.

Specifications

Product Type		Remote Control
Product code		8012A60GRC-020
Rated Voltage		AC120V 60Hz
Rated Power		1300W
Inlet Water Pressure Range	Min.	9 psi (0.06MPa) Flow pressure
	Max.	108 psi (0.75MPa) Hydrostatic pressure
Ambient Temperature Range		32°F~104°F (0°C~40°C)
Product Dimension		L 21-1/8" x W 17-3/16" x H 5-1/2" (L 536mm*W 432mm*H 140mm)
Water Inlet Type		Direct inlet flow
Cleansing	Heating Type	Instant heating
	Rear Cleansing Volume	0.74~1.05 pint/min (0.35~0.5L/min) (6 adjustment levels) water pressure 29psi (0.2 Mpa)
	Front Cleansing Volume	0.74~1.05 pint/min (0.35~0.5L/min) (6 adjustment levels) water pressure 29psi (0.2 Mpa)
	Water Temperature	OFF (Water temperature) Low-about 90°F (32°C); Relatively Low-about 93°F (34°C); Mid-about 97°F (36°C); Relatively High-about 100°F (38°C); High-about 104°F (40°C)(6 adjustment levels)
	One Touch Cleansing	-
	Oscillating	●
	Massage	● (Back cleansing only)
	Nozzle Position Adjustment	●
	Heating Power	230W±10%
	Safety Device	Temperature sensor, temperature fuse, tilt sensor, float switch
Remote	Dimension	L263mm*W32.5mm*H71mm L10-3/8"*W1-1/4"*H2-13/16"
	Power Source	2*1.5V AAA batteries
Heated Seat	Surface Temperature	Room temperature/ about 82°F - 104°F (28°C - 40°C) 5 adjustable levels
	Heating Power	57W±10%
	Safety Device	Temperature sensor, fuse
Dryer	Air volume	0.2 m³/min
	Warm air temperature	Approximately 104°F (40°C) - 131°F (55°C) (3 adjustable levels)
	Safety device	Temperature fuse
Deodorizer	Deodorizing Method	Absorption by activated carbon deodorizer
	Deodorizing performance	Auto Deodorizing : 3.8CFM (0.11m³/min)
Power Saving	One Touch Power Saving	● (8hr)
	Super Power Saving	●
Other Conviniient Functions	Self Cleaning Nozzle	●
	Nozzle Manual Clean	●
	Nozzle Shutter	●
	Seat Heating Auto Off	●
	Sitting Sensor	Mechanical sensor
	Anti-microbial Material	Seat(SIAA), lid, nozzle, remote control panel
	Soft Close Seat & Cover	●
	Quick Detach Cover	●
Quick Detach Main Body	●	



LIMITED WARRANTY

This SpaLet® comes with a three year warranty on all parts of the SpaLet. If inspection of this American Standard plumbing product, inclusive of the chinaware and all mechanical parts, confirms that it is defective in materials or workmanship, American Standard will repair or, at its option, exchange the product for the same or a similar model.

This limited warranty applies only to the original non-commercial purchaser and installation of the products. In the event of a limited warranty claim, proof of purchase will be required—save sales receipts.

For this warranty to become effective, the warranty registration process must be completed via the internet or telephone per the warranty registration instructions.

This limited warranty does not apply to commercial installations. The warranty for commercial installations is two years on the SpaLet.

This warranty does not apply to local building code compliance. Since local building codes vary considerably, the purchaser of the product should check with a local building or plumbing contractor to ensure local code compliance before installation.

This warranty will be void if the product has been moved from its initial place of installation; if it has been subjected to faulty maintenance, abuse, misuse, accident or other damage; if it was not installed in accordance with American Standard's instructions; or if it has been modified in a manner inconsistent with the product as shipped by American Standard. The warranty will be void if the product has failed as a result of worn-out of consumable parts such as packing, fuses, batteries.

WARNING: This warranty DOES NOT COVER any damages caused by the use of harsh cleaners. These products can seriously corrode the product components. This damage can cause leakage and property damage. American Standard will not be responsible or liable for any damage caused by the use of in-tank cleaners.

American Standard's option to repair or exchange the product under this warranty does not cover any labor or other costs of removal or installation including any costs of any surrounding material such as tile or marble. American Standard is not responsible for any other incidental or consequential damages attributed to a product defect. (Some states or provinces do not allow the exclusion or limitation of implied warranties, so this exclusion may not apply to you.)

This warranty gives you specific rights. You may have other statutory rights that may vary from state to state or province to province, in which case this warranty does not affect such statutory rights.

How to register the warranty:

PLEASE COMPLETE AMERICAN STANDARD WARRANTY REGISTRATION AND SAVE THIS WARRANTY INFORMATION.

IMPORTANT: Registration of the SpaLet must be completed for this warranty to become effective. Your registration will make it easier to service your product.

INSTRUCTIONS: Register your SpaLet at www.americanstandard.com. Please save your point of purchase (sale receipt).

IF YOU HAVE ANY QUESTIONS, OR PARTS ARE DAMAGE OR MISSING, DO NOT CONTACT, OR RETURN, THIS PRODUCT TO THE STORE. CONTACT CUSTOMER SERVICE.

In the United States:

American Standard Brands
1 Centennial Ave.
Piscataway, New Jersey 08854
Attention: Director of Customer Care

For residents of the United States, warranty information may also be obtained by calling the following toll free number: (800) 442-1902
www.americanstandard.com

In Canada:

AS Canada, ULC
5900 Avebury Rd.
Mississauga, Ontario
Canada L5R 3M3

Toll Free: (800) 387-0369
www.americanstandard.ca

In Mexico:

American Standard B&K Mexico
S. de R.L. de C.V.
Via Morelos #330
Col. Santa Clara
Ecatepec 55540 Edo. Mexico

Toll Free: 01-800-839-1200
www.americanstandard.com.mx

PART OF LIXIL