

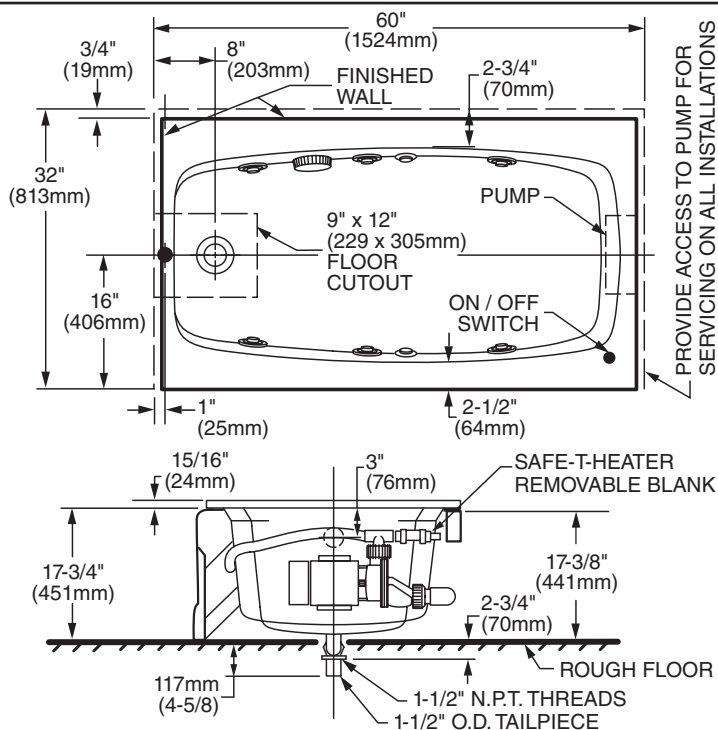
INSTALLATION INSTRUCTIONS

CAMBRIDGE®

AMERICAST BRAND
ENGINEERED MATERIAL

2460 SERIES/2461 SERIES WHIRLPOOL / BATHING POOL

*American
Standard*



PROVIDE ACCESS TO PUMP FOR
SERVICING ON ALL INSTALLATIONS

THANK YOU...

for selecting an American Standard bath. Your new bath is shipped to you after careful inspection. The whirlpool version is completely assembled with pump, motor, and system piping. All you need to finish the installation are your selected fittings and electrical connections for a whirlpool.

To Ensure maximum performance and pleasure from this product, please follow the instructions and cautions.

List of Optional Components (not included):

- Safe-T-Heater 9075.120*

* see your American Standard Distributor

List of Required Components (not included):

- Drain 1583.470*
- Bath Filler*

* see your American Standard Distributor

List of Required Tools and Supplies:

Tools

- Level
- Tape Measure
- Pipe Wrench
- Slip Joint Pliers
- Screw Driver
- Standard Woodworking Tools
- Personal Safety Equipment
- Caulking Gun

Supplies

- Nails
- Putty
- Caulking (waterproof)
- 1 x 3 or 2 x 4 Stringers
- Drop Cloth
- 15 amp GFCI Outlet
- Cement, Plaster, Grout

GENERAL SPECIFICATIONS FOR 2460/2461 WHIRLPOOL

INSTALLED SIZE	60 x 32 x 17-3/4 In. (1524 x 813 x 451mm)
WEIGHT	142 Lbs. (64 Kg.)
WEIGHT w/WATER	559 Lbs. (254 Kg.)
GAL. TO OVERFLOW	50 Gal. (190 L)
WHIRLPOOL MIN. OPERATING VOL.	39 Gal. (148 L)
BATHING WELL AT SUMP	41 x 20 In. (1041 x 508mm)
BATHING WELL AT RIM	54 x 26 In. (1372 x 660mm)
WATER DEPTH TO OVERFLOW	12-5/8 In. (321mm)
FLOOR LOADING (PROJECTED AREA)	41 Lbs./Sq.Ft. (200 Kgs./Sq.m)
PTS.	13.9
CUBE (FT ³)	30.9

WHIRLPOOL ELECTRICAL SPECIFICATIONS 2460/2461.028 & .128

SYSTEM I PUMP	1.4 HPR, 7.5 AMPS, 120V.
SAFETY HEATER	12 AMPS, 120V.

GENERAL INSTALLATION INFORMATION

Carefully uncrate and inspect your new bath for any shipping damage. If such damage is found, report it to your vendor immediately.

After inspection and during installation, protect the bath from construction damage. After installation, and before enclosing with wallboard, tile, etc., water test the unit and check for leaks.

Do not make modifications to the whirlpool system or remove pump from factory mounting. This could adversely affect the safety and performance of the whirlpool and void the warranty. Do not handle or move the whirlpool by the pump, motor, or piping system.

Fittings (bath filler, shower arm, etc.) are not provided with the bath and must be ordered separately. Framing and enclosing materials are provided by others. Check for availability of optional American Standard wall tiling bead (required for recess installations).

Protect all finished surfaces of the whirlpool during construction and installation using a drop cloth.

WARNING! Do not lift whirlpool by the piping harness at any time.

FOR AFTER-SALES SERVICE CALL 1 (800) 442-1902 WEEKDAYS.

FRAMING AND INSTALLATION

Bath may only be installed above the floor line in a recess installation, as shown in recess installation diagram.

Locate studs as required. Insure rough dimensions are proper, plumb and square.

For whirlpools, provision must be made in all installations for an access opening for servicing pump and controls.

The following procedure must be used for all installations: leveling support stringer should be as indicated.

The bath is supported from the apron and the rear tiling flange. No support under the sump is necessary.

Position bathtub/whirlpool within the recess, check level, front to back, side to side, and shim as necessary.

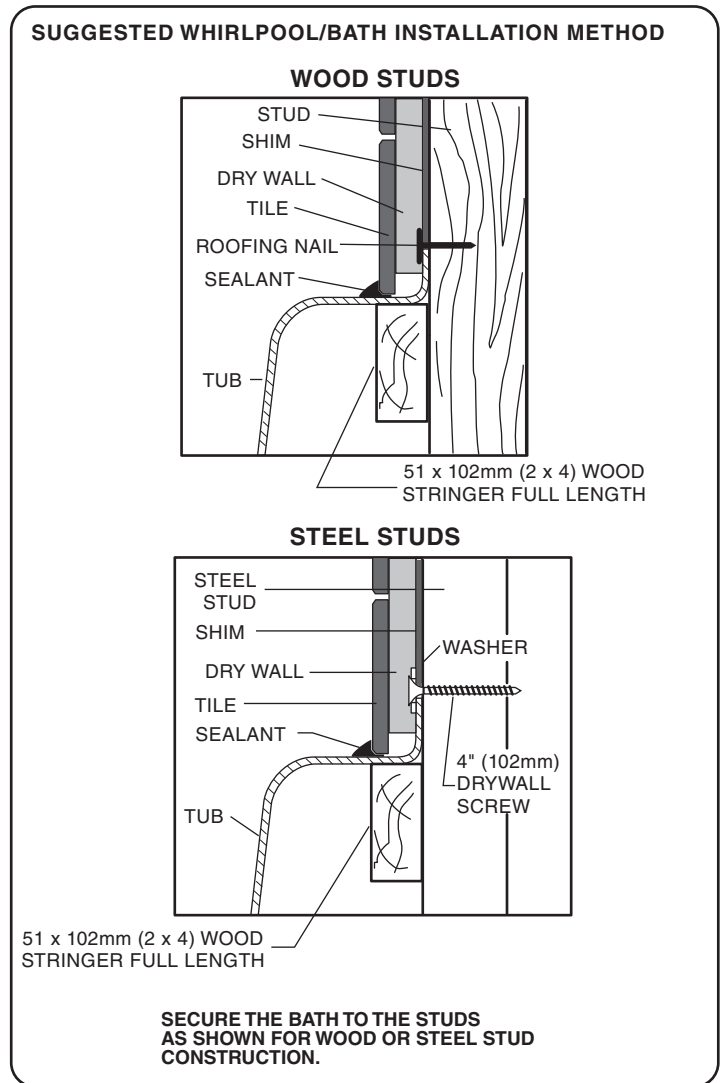
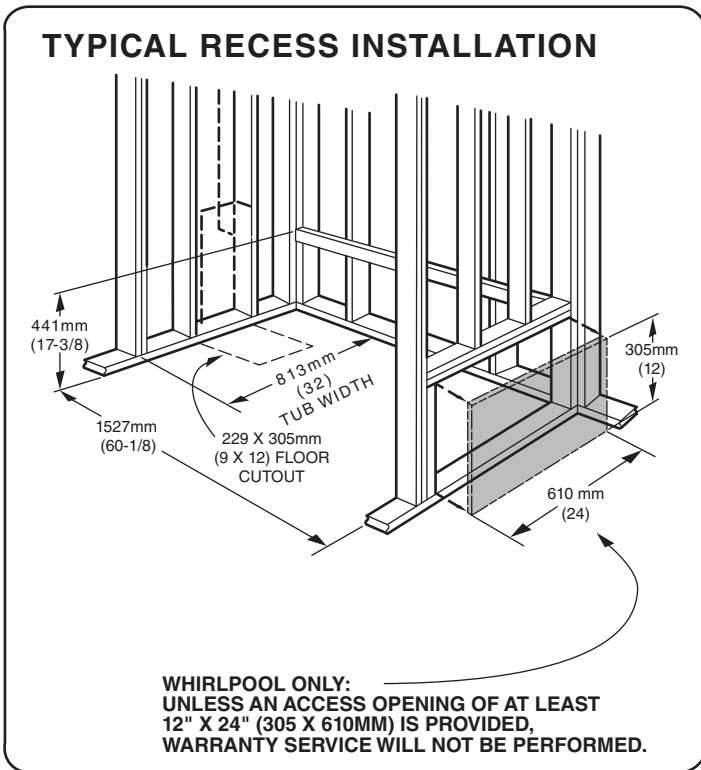
Also check drain clearance hole in the subfloor.

To secure the tub to wood studs use roofing nails immediately above the flange of the tub.

To secure the tub to steel studs use drywall screws and flatwashers.

Caution: take extra care when driving nails or screws to avoid damaging the tub.

The tile or similar finished floor will be butted against the bottom of the tub apron, also holding the tub in place.



ELECTRICAL INSTALLATION INSTRUCTIONS

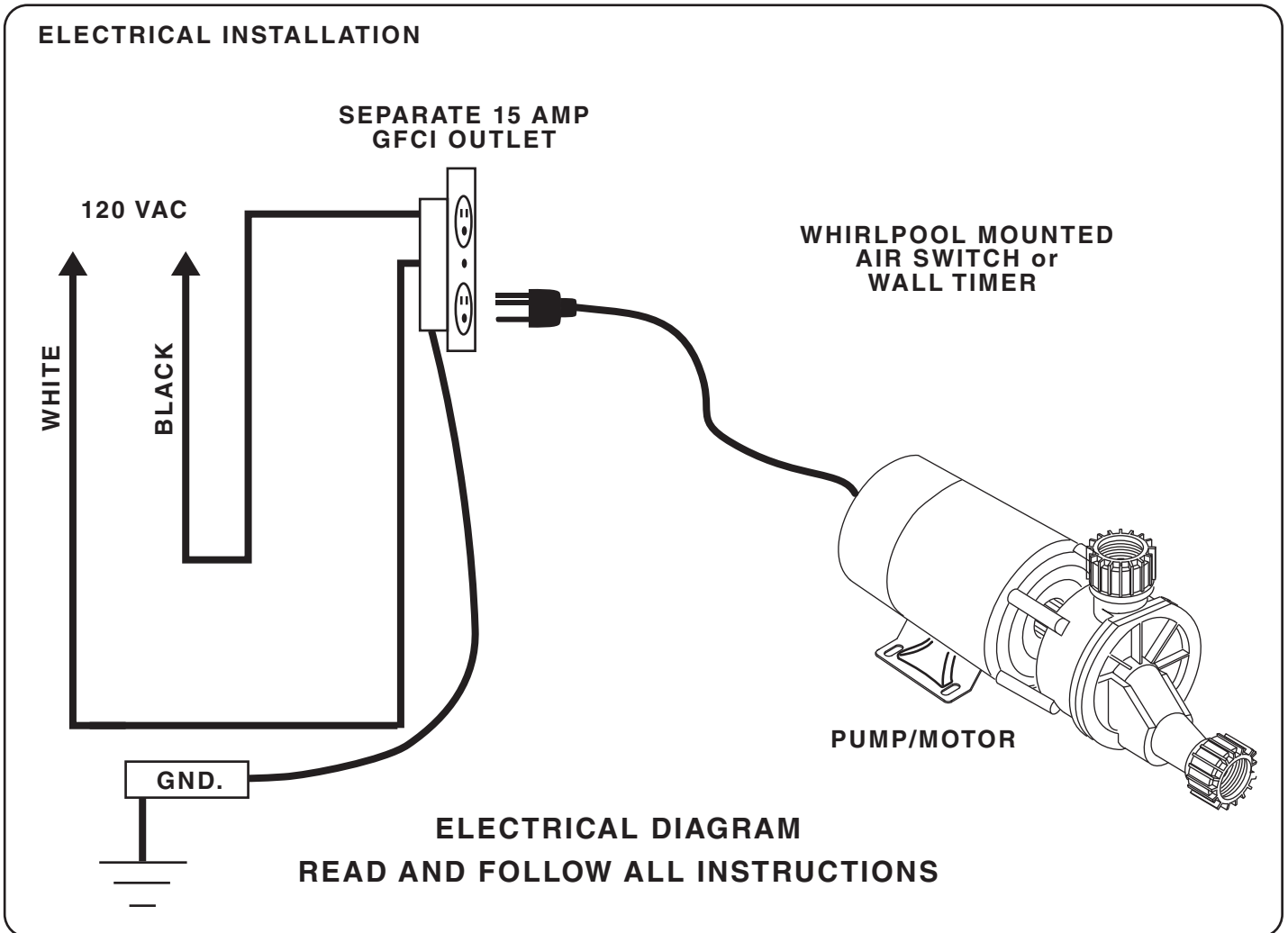
All wiring must be performed by a licensed electrician in accordance with the national electrical code and all other applicable codes.

WARNING:

When using electrical products, basic precautions should always be observed, including the following:

1. **DANGER: RISK OF ELECTRIC SHOCK**
Connect only to a circuit protected by a ground-fault circuit interrupter.
2. Grounding is required. The unit should be installed by a licensed electrician and grounded.
3. Install to permit access for servicing.
4. All building materials and wiring should be routed away from the pump body and heater (if equipped).

The whirlpool should be installed on a 120 vac, 15 amp dedicated circuit. The circuit should be hard-wired from the electrical power supply panel. The circuit must be a three (3) wire circuit from the electrical supply panel. A grounded neutral wire and a third wire, earth ground, are essential. **ADDING THE SAFE-T-HEATER REQUIRES A SEPARATE 15 AMP MAXIMUM GFCI CIRCUIT.**



WIRE SELECTION GUIDE

Motor Hi-Performance Rating	Maximum distance from fusebox to motor			
	50'	100'	150'	200'
1.4	120V Power Line			
	12	12	10	8

The sizes shown on this chart are recommendations for copper conductors only. Always follow local and national electrical codes

DRAIN CONNECTION AND SYSTEM TEST

Using recommended drain opening, connect whirlpool drain to waste line. Tighten all drain joints securely. Check the pump couplings and make sure they are hand-tight. Clean the whirlpool and fill with water to a point 2" above the top of the highest jet. Recheck the pump couplings and make certain that they are not leaking. (Although the pump couplings are factory tightened and inspected, some loosening may have occurred during transit.) Make sure the whirlpool is connected to the electrical supply and turn the whirlpool on. Check for leaks around all piping connections while the whirlpool is running.

POST INSTALLATION CLEAN-UP

Remove all construction debris from bath. Tile grout can be removed with a wooden popsicle stick or tongue depressor. Do not use wire brushes or any other metal implement on bath surface.

Post installation clean-up generally can be completed using warm water and liquid dishwashing detergent. Stubborn dirt or stains may be removed using granular Spic and Span® mixed with water.

Painter's naphtha can be used to remove excess adhesives and/or wet oil-base paint.

HARSH CHEMICALS SHOULD NEVER BE USED ON ENAMEL SURFACES.

Abrasive cleaners must not be used since they will scratch and dull the surface. Dulled areas can be restored by rubbing with a white automotive-type polishing compound and waxing with a liquid wax.

SPIC AND SPAN® IS A REGISTERED TRADEMARK OF THE SPIC AND SPAN COMPANY

In the United States:

American Standard Brands
1 Centennial Ave
Piscataway, New Jersey 08854
Attention: Director of Consumer Affairs

For residents of the United States, warranty information may also be obtained by calling the following toll free number: (800) 442-1902
www.americanstandard-us.com

In Canada:

AS Canada ULC
5900 Avebury Ave.
Mississauga, Ontario
Canada L5R 3M3
Toll Free: (800) 387-0369
www.americanstandard.ca

In Mexico:

Customer Service Manager
AS Maquila, S.A. de C.V.
Via Morelos #330
Col. Santa Clara
Ecatepec 55540 Edo. Mexico
www.americanstandard.com.mx